



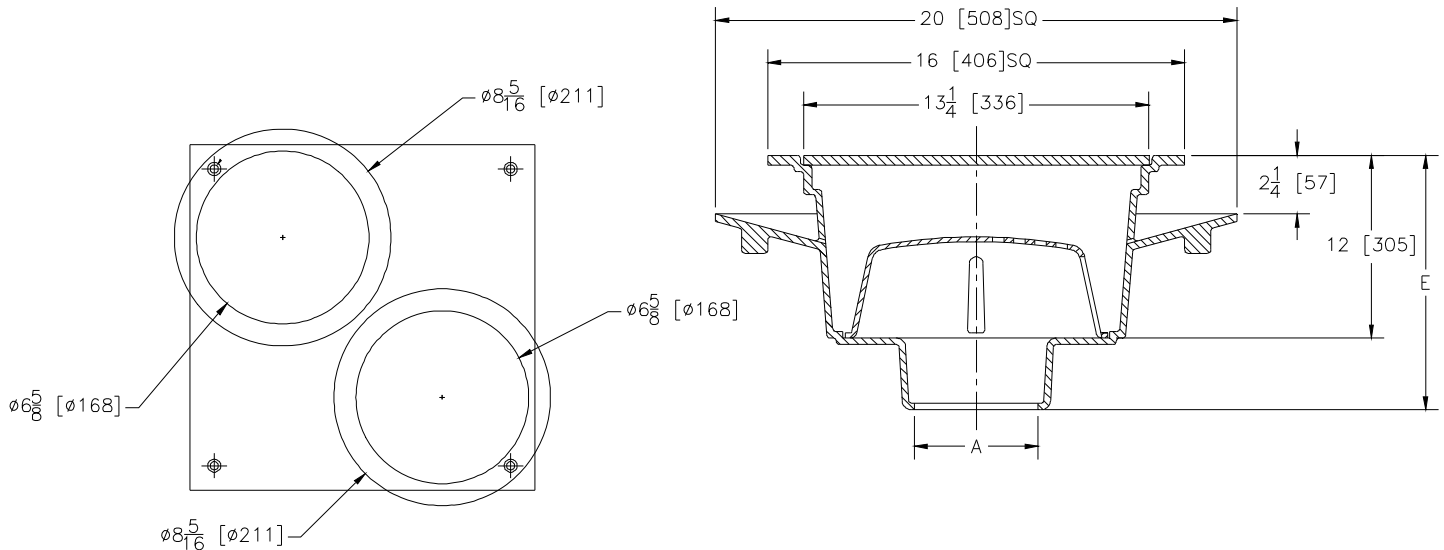
Z1926-86

16 X 16 [406 X 406] SANI-FLOR RECEPTOR 12 [305] SUMP DEPTH AND COVER W/ TWO Ø 6-5/8 [168] HOLES

SPECIFICATION SHEET

TAG _____

Dimensional Data (inches and [mm]) are Subject to Manufacturing Tolerances and Change Without Notice



A- Pipe Size In.	Approx Wt. Lbs. [kg]
6-8 [152-203]	146 [67]

ENGINEERING SPECIFICATION: ZURN Z1926-15

Sani-Flor Receptor 16 x 16 x 12 [406 x 406 x 305] deep cast iron body with seepage flange and solid loose set cover with two 6-5/8 [168] holes, with white acid resisting Epoxy interior and top, complete with aluminum anti-splash interior bottom dome strainer.

OPTIONS (Check/specify appropriate options)

PIPE SIZE

(Specify size/type) **OUTLET**

'E' BODY HT. DIMENSION

6, 8 [152, 203]

____ NH No-Hub

15 [381]

15-3/16 [386]

PREFIXES

- ____ Z Cast Iron Body with White A.R.C. Interior*
- ____ ZN Cast Iron Body with White A.R.C. Interior, 16-1/2 [419] Square N.B. Frame and Full Grate (Add 3/4 [19] to 16 [406] Dim. and 3/16 [5] to 'E' Dim.)

SUFFIXES

- ____ -C Clamping Collar
- ____ -LD (Less) Internal Bottom Dome Strainer
- ____ -P 1/2 [13] Trap Primer Connection
- ____ -1 (Less) Grate
- ____ -23 Aluminum Bucket
- ____ -25 White A.R.E. Bucket
- ____ -31 Stainless Steel Mesh Liner for Bucket
- ____ -33 White A.R.E. Anti-Splash Bottom Dome Strainer

*REGULARLY FURNISHED UNLESS OTHERWISE SPECIFIED

REV.	DATE: 12/18/12	C.N. NO. 128602
DWG. NO. 311110		PRODUCT NO. Z1926-86