



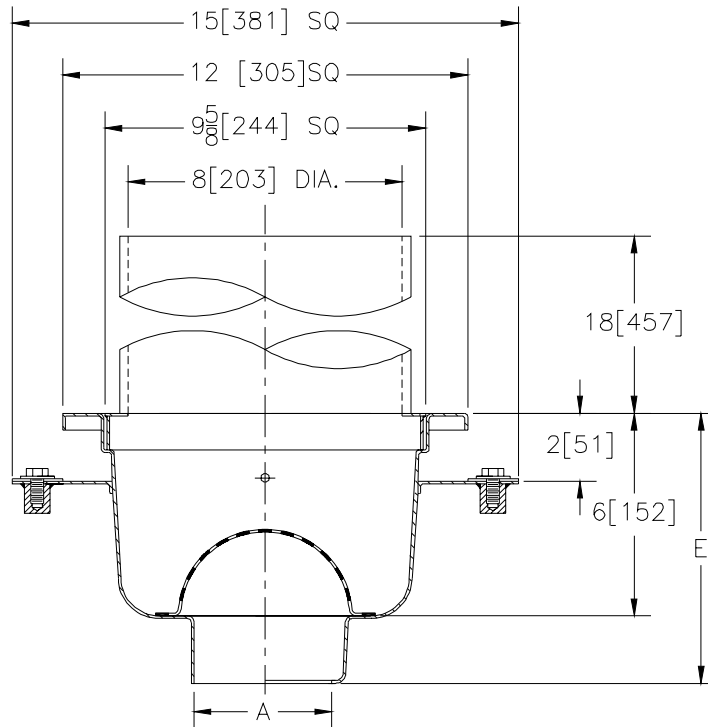
# Z1750-139

## 12 X 12 [305 x 305] SANI-FLOR RECEPTOR 6 [152] SUMP DEPTH W/ STANDPIPE

SPECIFICATION SHEET

TAG \_\_\_\_\_

Dimensional Data (inches and [ mm ]) are Subject to Manufacturing Tolerances and Change Without Notice



A Pipe Size	Approx. Wt. Lbs. [kg]	Grate Open Area Sq. In. [cm <sup>2</sup> ]
2-3-4 [51-76-102]	15 [7]	23 [148]

### ENGINEERING SPECIFICATION: ZURN Z1750-139

12 x 12 x 6 [305 x 305 x 152] deep, 14 gage, All Type 304 (CF8) Stainless Steel medium-duty Sani-Flor receptor with seepage pan with clamp collar and non-tilt, loose set full solid grate with 8 [203] dia. x 18 [216] high standpipe and anti-splash interior dome strainer.

### OPTIONS (Check/specify appropriate options)

#### PIPE SIZE

- 2 thru 4 [51 thru 102]
- 2 [51]
- 3 [76]
- 4 [102]
- 2 thru 4 [51 thru 102]
- 2 thru 4 [51 thru 102]

#### (Specify size/type) OUTLET

- \_\_\_ IC Inside Caulk
- \_\_\_ IP Threaded
- \_\_\_ IP Threaded
- \_\_\_ IP Threaded
- \_\_\_ NH No-Hub
- \_\_\_ NL Neo-Loc

#### 'E' BODY HT. DIM.

- 8 9/16 [214]
- 7 5/16 [186]
- 7 9/16 [198]
- 8 1/16 [205]
- 8 1/16 [205]
- 7 13/16 [198]

#### PREFIXES

- \_\_\_ Z Type 304 (CF8) Stainless Steel Body\*
- \_\_\_ ZM Type 316 (CF8M) Stainless Steel

#### SUFFIXES

- \_\_\_ -DX Dex-o-tex Flange
- \_\_\_ -HD Extra Heavy-Duty Top Frame & Grate
- \_\_\_ -IP Female Threaded Outlet
- \_\_\_ -P 1/2 [13] Trap Primer Connection
- \_\_\_ -Y Sediment Bucket
- \_\_\_ -YS Suspended Sediment Bucket

\*REGULARLY FURNISHED UNLESS OTHERWISE SPECIFIED

REV.	DATE: 9/06/04	C.N. NO. 92641
DWG. NO. P-15090 PRODUCT NO. Z1750-139		