



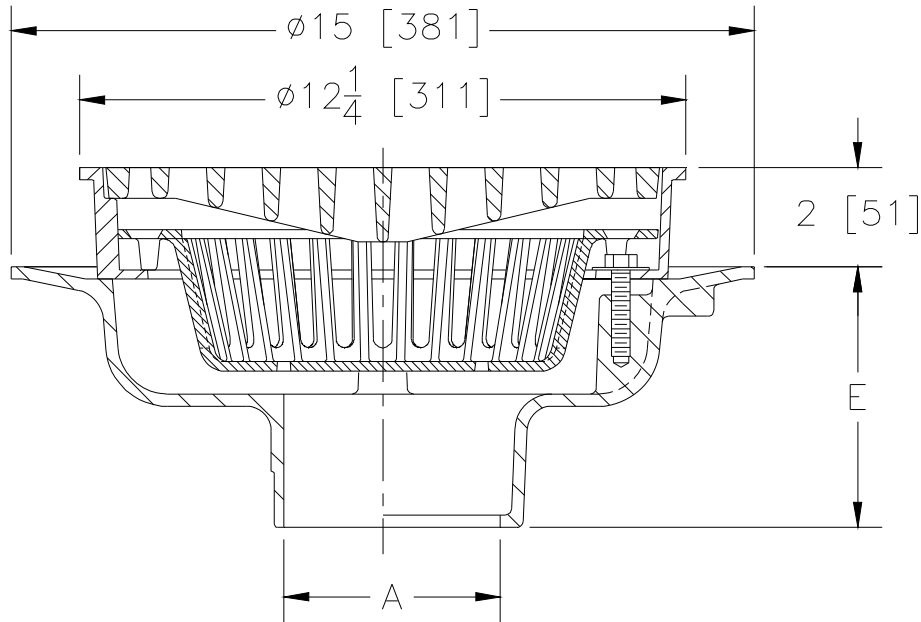
# Z541-WS

## 12 [305] DIAMETER HEAVY-DUTY DRAIN W/ WIDE SLOT GRATE

SPECIFICATION SHEET

TAG \_\_\_\_\_

Dimensional Data (inches and [ mm ]) are Subject to Manufacturing Tolerances and Change Without Notice



A Pipe Size In.	Approx. Wt. Lbs. [kg]	Grate Open Area Sq. In. [cm <sup>2</sup> ]
2 thru 6 [51 thru 152]	52 [24]	51 [329]
8-10 [203-254]	54 [24]	

**ENGINEERING SPECIFICATION: ZURN Z541-WS**  
 12 [305] Diameter top drain. Dura-Coated cast iron body with bottom outlet, seepage pan and combination membrane flashing clamp and frame for anti-tilt heavy-duty wide slotted grate with suspended polypropylene sediment bucket.

**OPTIONS** (Check/specify appropriate options)

**PIPE SIZE**

- 2 thru 6, 8, 10 [51 thru 152, 203, 254]
- 2 thru 6, 8 [51 thru 152, 203]
- 2 thru 6, 8, 10 [51 thru 152, 203, 254]
- 2 thru 6, 8, 10 [51 thru 152, 203, 254]
- 2 thru 4 [51 thru 102]

(Specify size/type) **OUTLET**

- \_\_\_ IC Inside Caulk
- \_\_\_ IG Inside Caulk w/Sealtrol Gskt.
- \_\_\_ IP Threaded
- \_\_\_ NH No-Hub
- \_\_\_ NL Neo-Loc

**'E' BODY HT. DIM.**

- 5 1/4 [133]
- 5 1/4 [133]
- 3 3/4 [95]
- 5 1/4 [133]
- 4 5/8 [117]

**PREFIXES**

- \_\_\_ Z D.C.C.I. Body and Top\*
- \_\_\_ ZB D.C.C.I. Body w/ Polished Bronze Top (Add 3/16 [5] to 2 [51] Dim. and 3/4 [19] to 12 1/4 [311] Dim.)
- \_\_\_ ZN D.C.C.I. Body w/ Polished Nickel Bronze Top (Add 3/16 [5] to 2 [51] Dim. and 3/4 [19] to 12 1/4 [311] Dim.)

**SUFFIXES**

- \_\_\_ -AR Acid Resisting Epoxy Coated Cast Iron
- \_\_\_ -DG Duresist Grate
- \_\_\_ -DX Dex-o-tex Flange
- \_\_\_ -G Galvanized Cast Iron
- \_\_\_ -LY (Less) Sediment Bucket
- \_\_\_ -P Trap Primer Connection
- \_\_\_ -S Secondary Strainer
- \_\_\_ -SS Stainless Mesh Liner for Bucket
- \_\_\_ -TC Neo-Loc Test Cap Gasket  
(2 [51] - 4 [102] NL Bottom Outlet Only)
- \_\_\_ -TS Top Secured with Slotted Screws
- \_\_\_ -V Backwater Valve (See Z1099)
- \_\_\_ -VP Vandal-Proof Secured Top
- \_\_\_ -YC Cast Iron Sediment Bucket
- \_\_\_ -90 90° Threaded Side Outlet Body  
(2 thru 6 [50 thru 150])

\*REGULARLY FURNISHED UNLESS OTHERWISE SPECIFIED

REV. B	DATE: 10/19/09	C.N. NO. 110342
DWG. NO. 66407		PRODUCT NO. Z541-WS