



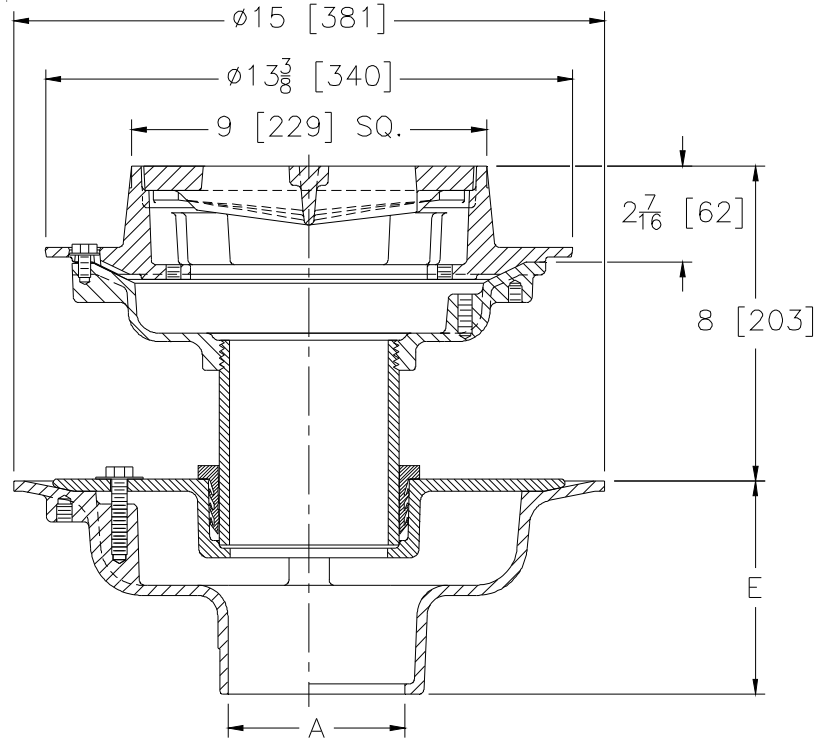
Z624-109

ISOLATION DECK DRAIN W/ Z609 SQUARE TOP DRAIN

SPECIFICATION SHEET

TAG _____

Dimensional Data (inches and [mm]) are Subject to Manufacturing Tolerances and Change Without Notice



A- Pipe Size In.	Approx. Wt. Lbs. [kg]	Grate Open Area Sq. In. [cm ²]
2-3-4 [51-76-102]	64 [29]	14 [90]
5-6 [127-152]		

ENGINEERING SPECIFICATION: ZURN Z624-109

Floating slab drain, Dura-Coated cast iron upper and lower bodies. Lower body with clamp collar, neoprene flex gasket and isolation nipple screwed into upper body. Upper body Z609 drain with seepage pan, heavy duty cast iron anti-tilt slotted grate and combination membrane flashing clamp and frame.

OPTIONS (Check/specify appropriate options)

PIPE SIZE

- 2-3-4-5-6 [51-76-102-127-150]
- 2-3-4-6 [51-76-102-150]
- 2-3-4-5-6 [51-76-102-127-150]
- 2-3-4-5-6 [51-76-102-127-150]
- 2-3-4 [51-76-102]

(Specify size/type) **OUTLET**

- ___ IC Inside Caulk
- ___ IG Inside Caulk w/Sealtrol Gskt.
- ___ IP Threaded
- ___ NH No-Hub
- ___ NL Neo-Loc

'E' BODY HT. DIM.

- 5-1/4 [133]
- 5-1/4 [133]
- 3-3/4 [95]
- 5-1/4 [133]
- 4-5/8 [117]

PREFIXES

- ___ Z D.C.C.I. Body and Grate*
- ___ ZB D.C.C.I. Body w/ Polished Bronze Top (Add 3/4 [19] to 9 [229] Dim. & 3/16 [5] TO 2-7/16 [62] Dim.)
- ___ ZN D.C.C.I. Body w/ Polished Nickel Bronze Top (Add 3/4 [19] to 9 [229] Dim. & 3/16 [5] TO 2-7/16 [62] Dim.)

SUFFIXES

- ___ -AR Acid Resistant Epoxy Coated Finish
- ___ -C Underdeck Clamp (Lower Body)
- ___ -DG Duresist Grate
- ___ -G Galvanized Cast Iron
- ___ -GG Galvanized Grate
- ___ -H Hinged Grate
- ___ -HL Hinged Locking Grate
- ___ -P Trap Primer Connection
- ___ -R Sump Receiver (Lower Body)
- ___ -SC Solid Cover
- ___ -Y Sediment Bucket

* Regularly furnished unless otherwise specified.