



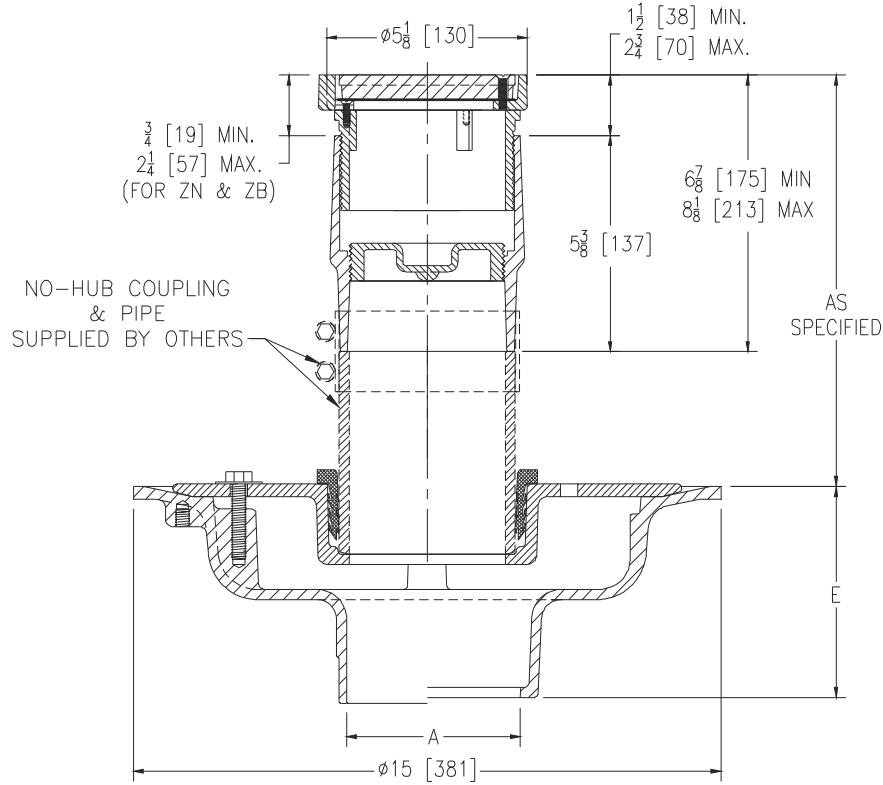
# Z626-77

## ADJUSTABLE ISOLATION DECK CLEANOUT W/ SOLID GASKETED COVER

SPECIFICATION SHEET

TAG \_\_\_\_\_

Dimensional Data (inches and [ mm ]) are Subject to Manufacturing Tolerances and Change Without Notice



A Pipe Size	Approx. Wt. Lbs. [kg]
2, 3, 4 [51, 76, 102]	44 [20]
5, 6 [127, 152]	

**ENGINEERING SPECIFICATION: ZURN Z626-77**

Adjustable isolation deck cleanout, Dura-Coated cast iron upper and lower bodies, clamp collar with weep holes, neoprene flex gasket, ABS cleanout plug, isolation ferrule with 5 [127] diameter round Dura-Coated cast iron adjustable cleanout top, and solid gasketed cover.

**OPTIONS** (Check/specify appropriate options)

**PIPE SIZE**

- 2 thru 6 [51 thru 152]
- 2 thru 4, 6 [51 thru 102, 152]
- 2 thru 6 [51 thru 152]
- 2 thru 6 [51 thru 152]
- 2 thru 4 [51 thru 102]

(Specify size/type) **OUTLET**

- \_\_\_\_\_ IC Inside Caulk
- \_\_\_\_\_ IG Inside Gasket
- \_\_\_\_\_ IP Threaded
- \_\_\_\_\_ NH No-Hub
- \_\_\_\_\_ NL Neo-Loc

**'E' BODY HT. DIM.**

- 5-1/4 [133]
- 5-1/4 [133]
- 3-3/4 [95]
- 5-1/4 [133]
- 4-5/8 [117]

**PREFIXES**

- \_\_\_\_\_ Z D.C.C.I. Body and Top\*
- \_\_\_\_\_ ZB D.C.C.I Body w/ Polished Bronze Top
- \_\_\_\_\_ ZN D.C.C.I Body w/ Polished Nickel Bronze Top

**SUFFIXES**

- \_\_\_\_\_ -C Underdeck Clamp (Lower Body)
- \_\_\_\_\_ -G Galvanized Cast Iron
- \_\_\_\_\_ -LH Less Weep Holes in Clamp Collar
- \_\_\_\_\_ -R Sump Receiver (Lower Body)
- \_\_\_\_\_ -VP Vandal-Proof Secured Top

REV.	DATE: 05/23/13	C.N. NO. 129399
<b>PROD./DWG. NO. Z626-77</b>		

\*REGULARLY FURNISHED UNLESS OTHERWISE SPECIFIED