



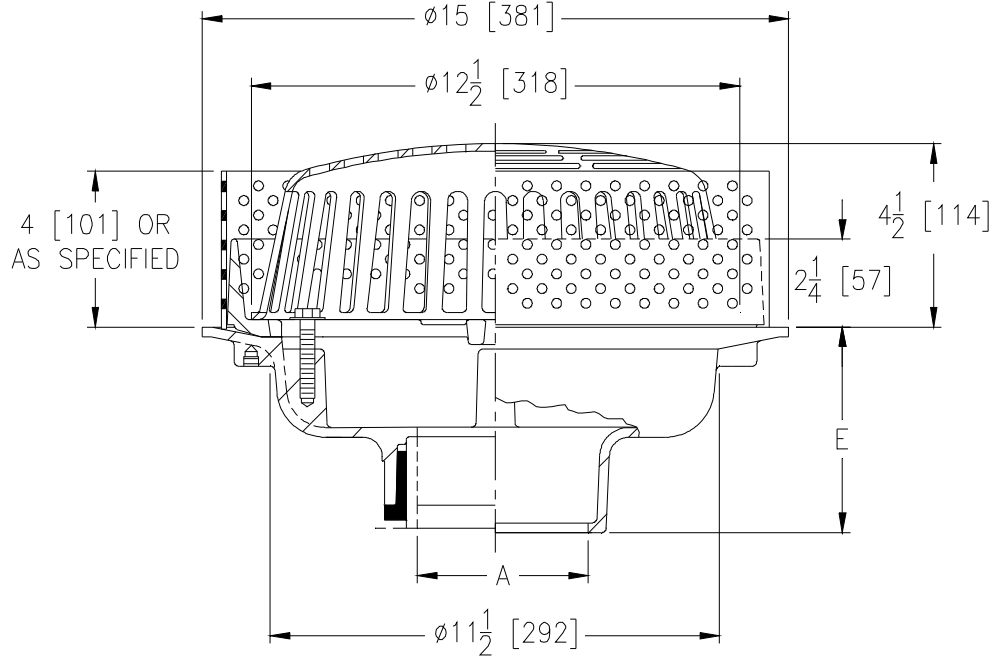
Z100-84-89

15 [381] DIAMETER ROOF DRAIN W/ PERFORATED GRAVEL GUARD AND 2 [51] HIGH WATER DAM

SPECIFICATION SHEET

TAG _____

Dimensional Data (inches and [mm]) are Subject to Manufacturing Tolerances and Change Without Notice



A Pipe Size in [mm]	Approx Wt. lbs [kg]	Dome Open Area in ² [cm ²]
2,3,4 [51,76,102]	41 [19]	103 [665]
6 [152]	42 [19]	
8 [203]	43 [20]	

ENGINEERING SPECIFICATION: ZURN Z100-84-89

15" [381mm] Diameter roof drain. Dura-Coated cast iron body with 2" [51mm] high combination membrane clamp/gravel guard, perforated ring and low silhouette Poly-Dome strainer.

OPTIONS (Check/specify appropriate options)

PIPE SIZE

- 3,4,6 [76,102,152]
- 2,3,4,6,8 [51,76,102,152,203]
- 2,3,4,6,8 [51,76,102,152,203]
- 2,3,4 [51,76,102]
- 6 [152]

PREFIXES

- ___ Z D.C.C.I. Body with Poly-Dome*
- ___ ZA D.C.C.I. Body with Aluminum Dome
- ___ ZC D.C.C.I. Body with Cast Iron Dome
- ___ ZRB D.C.C.I. Body with Plain Bronze Dome

SUFFIXES

- ___ -AC Angular Underdeck Clamp
- ___ -AR Acid Resistant Epoxy Coated
- ___ -C Underdeck Clamp
- ___ -DE Deck Extension (Includes Deck Plate -DP)
- ___ -DP Top-Set® Roof Deck Plate (Replaces both -C and -R)
- ___ -DR Top-Set Adjustable Drain Riser Extension Assembly
- ___ -E Static Extension 1 [25] thru 4 [102] (Specify Ht.)
- ___ -EA Adjustable Extension Assembly 2-1/8 [54] thru 3-1/2 [89]
- ___ -EB Top-Set Adjustable Extension Assembly

(Specify size/type) **OUTLET**

- ___ IC Inside Caulk
- ___ IP Threaded
- ___ NH No-Hub
- ___ NL Neo-Loc
- ___ NL Neo-Loc

E BODY HT. DIM.

- 5-1/4 [133]
- 3-3/4 [95]
- 5-1/4 [133]
- 4-5/8 [117]
- 5-7/16 [138]

* Regularly furnished unless otherwise specified.