



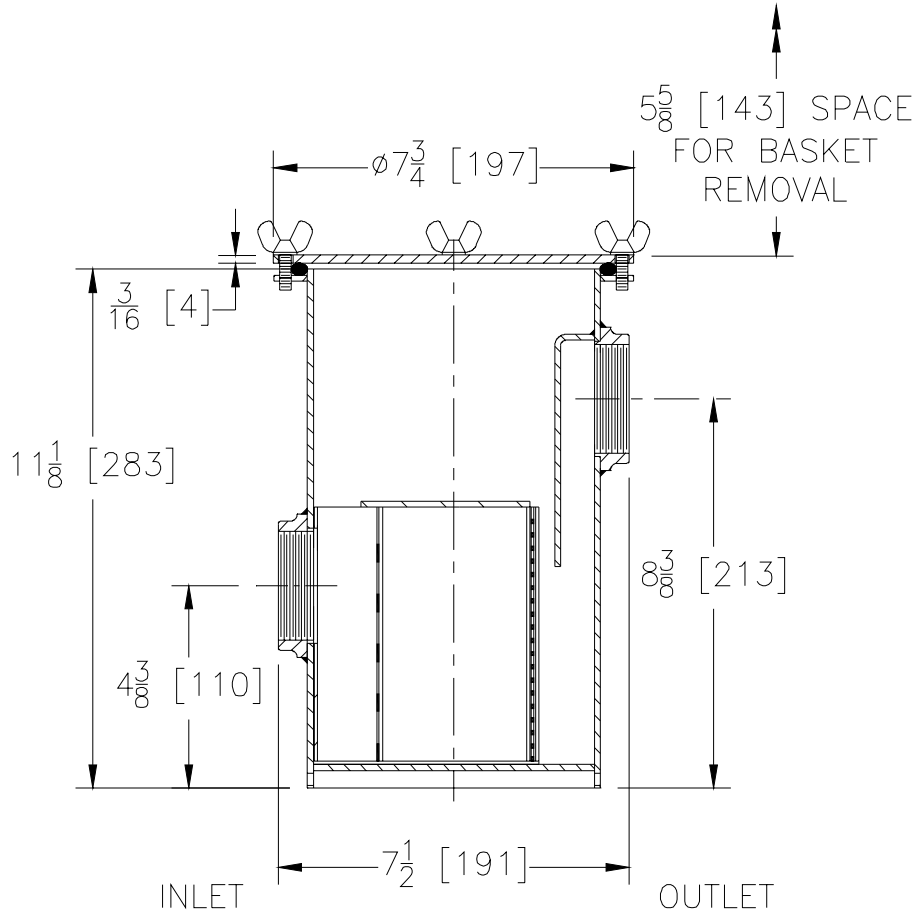
Z1180-76

FABRICATED STEEL SOLIDS INTERCEPTOR

SPECIFICATION SHEET

TAG _____

Dimensional Data (inches and [mm]) are Subject to Manufacturing Tolerances and Change Without Notice



Inlet/Outlet Inches	Flow Rate GPM [L]	Approx. Wt. Lbs. [kg]
1-1/2, 2** [38, 50]	15 [57]	10 [5]

ENGINEERING SPECIFICATION: ZURN Z1180-76 Acid Resistant coated interior and exterior steel interceptor, in lieu of fixture 'P' trap, for on-floor installation, with removable primary and secondary flow diffusing/intercepting screens, and sediment bucket with top access gasketed cover. Regularly furnished with 2 [51] low inlet and high outlet.**

OPTIONS (Check/specify appropriate options)

PREFIXES

___ Z Acid Resistant Coated Fabricated Steel*

SUFFIXES

___ -SS Stainless Steel Perforated Screen for Bucket
 ___ -YR Replacement Bucket Assembly with Perforated Screen

REV. A	DATE: 1/29/04	C.N. NO. 91901
DWG. NO. P-13637 PRODUCT NO. Z1180-76		

*REGULARLY FURNISHED UNLESS OTHERWISE SPECIFIED