

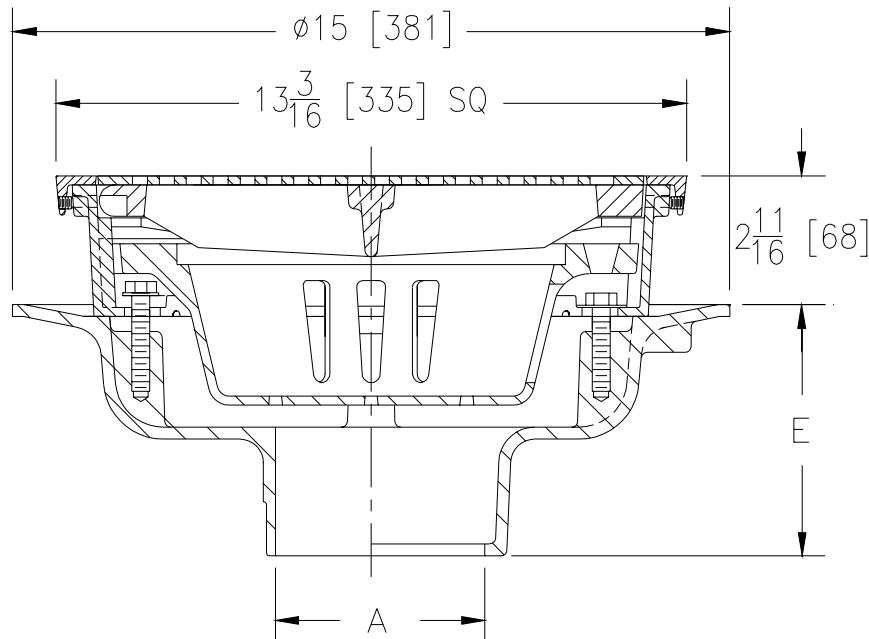


# Z-610-93

## 12" [305] HEAVY DUTY DRAIN WITH HEEL PROOF GRATE

TAG \_\_\_\_\_

Dimensional Data (inches and [ mm ]) are Subject to Manufacturing Tolerances and Change Without Notice



A- Pipe Size In.	Approx. Wt. Lbs. [kg]	Grate Open Area Sq. In. [cm <sup>2</sup> ]
2-3-4-5-6 [50-75-100-125-150]	54 [24]	40 [258]
8-10 [200-250]	56 [25]	

**ENGINEERING SPECIFICATION:** ZURN Z-610-93 12" [305] Square top drain, Dura-Coated cast iron body with bottom outlet, nickel bronze frame and heel proof grate, seepage pan and combination membrane flashing clamp and frame for heavy duty cast iron loose slotted grate, with suspended sediment bucket.

**OPTIONS** (Check/specify appropriate options)

PIPE SIZE	(Specify size/type)	OUTLET	'E' BODY HT. DIM.
2 thru 6, 8, 10 [50 thru 150, 200, 250]	_____	IC Inside Caulk	5 1/4 [133]
2 thru 4, 6 [50 thru 100, 150]	_____	IG Inside Caulk w/Sealtrol Gskt.	5 1/4 [133]
2 thru 6, 8, 10 [50 thru 150, 200, 250]	_____	IP Threaded	3 3/4 [95]
2 thru 6, 8, 10 [50 thru 150, 200, 250]	_____	NH No-Hub	5 1/4 [133]
2 thru 4 [50 thru 100]	_____	NL Neo-Loc	4 5/8 [117]
5,6 [127,150]	_____	NL Neo-Loc	5 1/2 [140]

**PREFIXES**

\_\_\_\_\_ ZN- D.C.C.I Body w/Polished Nickel Bronze Top (Add 3/16 [5] to 2 1/2 [64] Dim. and 11/16 [17] to 12 1/2 [318] Dim.)

**SUFFIXES**

- |   |   |
|---|---|
| _____ -DG Duresist Grate                        | _____ -YA Aluminum Sediment Bucket      |
| _____ -DX Dex-o-tex Flange                      | _____ -90 90° Threaded Side Outlet Body |
| _____ -G Galvanized Cast Iron                   |   |
| _____ -HL Hinged Locking Grate                  |   |
| _____ -LY (Less) Bucket                         |   |
| _____ -S Secondary Strainer                     |   |
| _____ -SS Stainless Steel Mesh Screen Over Dome |   |

\*REGULARLY FURNISHED UNLESS OTHERWISE SPECIFIED

**REV.                      DATE: 08/14/97                      C.N. NO. 78347**

**DWG. NO. P-14504                      PRODUCT NO. Z-610-93**