

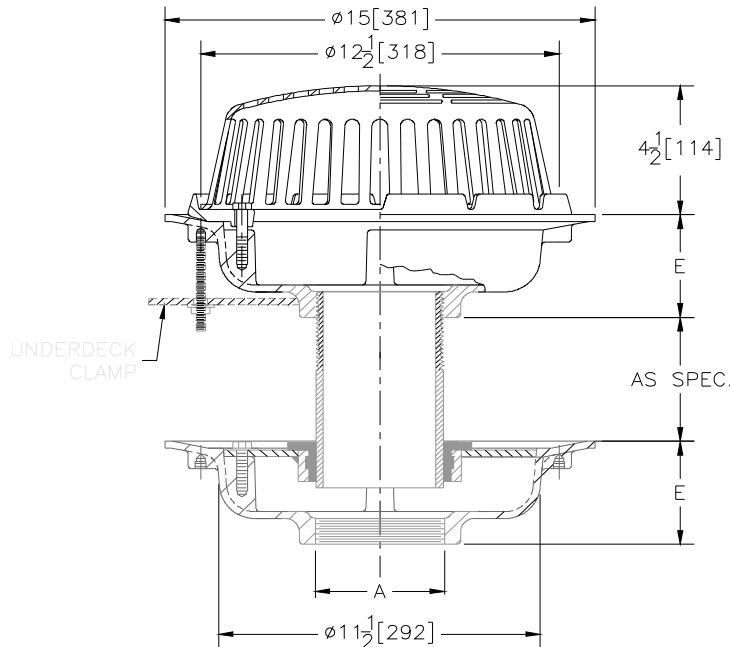


Z-100-127
15" [381] DIAMETER MAIN ROOF DRAIN
LOW SILHOUETTE DOME

SPECIFICATION SHEET

TAG _____

Dimensional Data (inches and [mm]) are Subject to Manufacturing Tolerances and Change Without Notice



A- Pipe Size In.	Approx. Wt. Lbs. [kg]	Dome Open Area Sq. In. [cm ²]
2-3-4 [50-75-100]	26 [12]	103 [665]
5-6 [125-150]	27 [12]	
8 [200]	28 [13]	
10 [250]	30 [14]	

ENGINEERING SPECIFICATION: ZURN Z-100-127 15 [381] Diameter roof drain. Dura-Coated cast iron upper and lower bodies with combination membrane flashing clamp/gravel guard, low silhouette Poly-Dome, static extension, (lower body) clamp collar, neoprene flex gasket and isolation nipple.

OPTIONS (Check/specify appropriate options)

PIPE SIZE

2 thru 6,8,10 [50 thru 150,200,250]

(Specify size/type) **OUTLET**

_____ IP Threaded

E BODY HT. DIM.

3 3/4 [95]

PREFIXES

- _____ Z- D.C.C.I. Body with Poly-Dome*
- _____ ZA- D.C.C.I. Body with 6 3/4 [171] High Aluminum Dome
- _____ ZC- D.C.C.I. Body with Cast Iron Dome
- _____ ZRB- D.C.C.I. Body with Plain Bronze Dome

SUFFIXES

- | | |
|--|--|
| _____ -AC Angular Underdeck Clamp | _____ -SC Secondary Clamping Collar |
| _____ -AR Acid Resistant Epoxy Coated Finish | _____ -SS Stainless Steel Mesh Screen Over Dome |
| _____ -A W 3/4 [19] to 4 [102] Adj. Water Level Regulator | _____ -VP Vandal Proof Secured Top |
| _____ -BS Bronze Mesh Screen Over Dome | _____ -W2 2 [51] Internal Water Dam |
| _____ -C Underdeck Clamp | _____ -W3 3 [76] Internal Water Dam |
| _____ -DX Dex-o-tex Flange | _____ -W4 4 [102] Internal Water Dam |
| _____ -E Static Extension 1 [25] thru 4 [102] (Specify Ht.) | _____ -XJ Vertical Expansion Joint (See Z-190) |
| _____ -EA Adjustable Extension Assembly 1 3/4 [44] thru 3 1/2 [89] | _____ -6 6 3/4 [171] High Aluminum Dome (148 Sq. In. [955 cm ²] Open Area) |
| _____ -ES Static Extension With Secondary Clamp | _____ -84 Stainless Steel Perforated Gravel Guard |
| _____ -FG Flush Grate | _____ -85 Stainless Steel Perforated Extension |
| _____ -G Galvanized Cast Iron | _____ -89 2 [51] High External Water Dam |
| _____ -GD Galvanized Cast Iron Dome | _____ -90 90° Threaded Side Outlet Body |
| _____ -R Roof Sump Receiver | |

REV. DATE: 3/15/96 C.N. NO. 74743

DWG. NO. P-14307 PRODUCT NO. Z-100-127

*REGULARLY FURNISHED UNLESS OTHERWISE SPECIFIED