



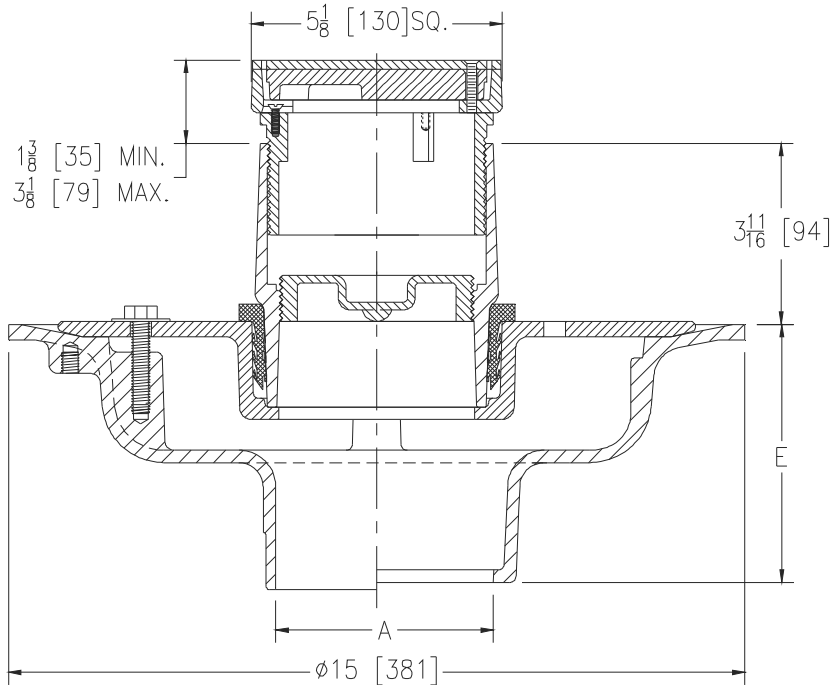
Z626-78

ADJUSTABLE ISOLATION DECK CLEANOUT WITH VANDAL-PROOF STAINLESS STEEL SQUARE TOP

SPECIFICATION SHEET

TAG _____

Dimensional Data (inches and [mm]) are Subject to Manufacturing Tolerances and Change Without Notice



A Pipe Size	Approx. Wt. Lbs. [kg]
2-3-4 [51-76-102]	44 [20]
5-6 [127-152]	

ENGINEERING SPECIFICATION: ZURN Z626-78

Adjustable isolation deck cleanout, Dura-Coated cast iron upper and lower bodies, clamp collar with weep holes, neoprene flex gasket, ABS cleanout plug, isolation ferrule with 5 - 1/8 [130] square Dura-Coated cast iron adjustable cleanout top with polished stainless steel veneer, and vandal-proof screws.

OPTIONS (Check/specify appropriate options)

PIPE SIZE

2-3-4-5-6 [51-76-102-127-152]
 2-3-4-6 [51-76-102-152]
 2-3-4-5-6 [51-76-102-127-152]
 2-3-4-5-6 [51-76-102-127-152]
 2-3-4 [51-76-102]

(Specify size/type) OUTLET

___ IC Inside Caulk
 ___ IG Inside Gasket
 ___ IP Threaded
 ___ NH No-Hub
 ___ NL Neo-Loc

'E' BODY HT. DIM.

5-1/4 [133]
 5-1/4 [133]
 3-3/4 [95]
 5-1/4 [133]
 4-5/8 [117]

PREFIXES

___ ZS D.C.C.I. Body with Polished Stainless Steel Top*

SUFFIXES

___ -AR Acid Resistant Epoxy Coated Cast Iron
 ___ -BP Bronze Plug
 ___ -C Underdeck Clamp (Lower Body)
 ___ -DC Duresist Cover
 ___ -G Galvanized Cast Iron
 ___ -LH Less Weep Holes in Clamp Collar
 ___ -R Sump Receiver (Lower Body)
 ___ -SG Solid Gasketed Cover

* Regularly furnished unless otherwise specified.