



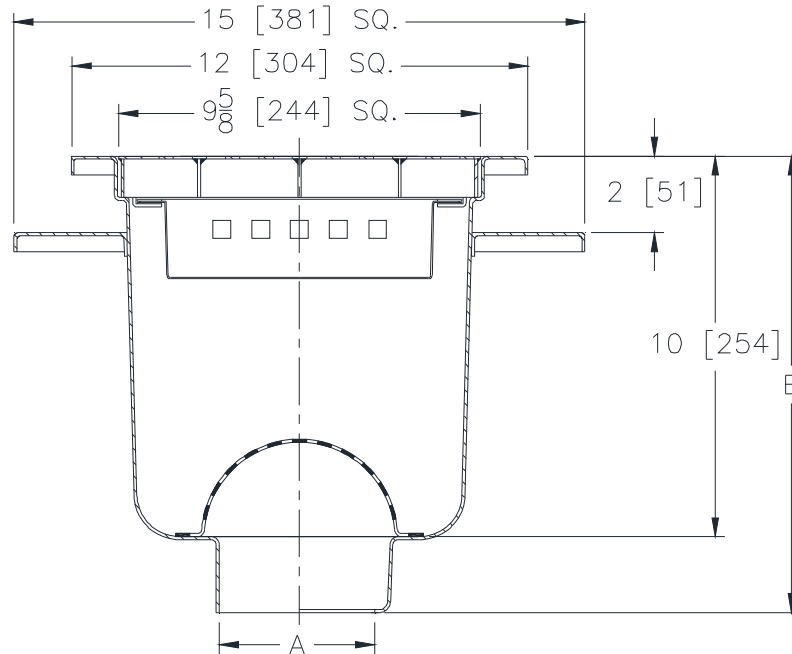
Z1752-K-YS

12 X 12 [305 X 305] SAIN-FLOR RECEPTOR 10 [254]
SUMP DEPTH, ANCHOR FLANGE W/ SUSPENDED
SEDIMENT BUCKET

SPECIFICATION SHEET

TAG _____

Dimensional Data (inches and [mm]) are Subject to Manufacturing Tolerances and Change Without Notice



A Pipe Size In. [mm]	Approx. Wt. Lbs. [kg]	Grate Open Area Sq. In. [cm ²]
2,3,4 [51,76,102]	24 [11]	23 [149]
6 [152]	25 [11]	23 [149]

ENGINEERING SPECIFICATION: ZURN Z1752-K-YS
12" x 12" x 10" [305mm x 305mm x 254mm] Deep, 16 gage, all type 304 (CF8) stainless steel light duty Sani-Flor receptor with seepage pan, non-tilt, loose set full grate with 1/2" [13mm] square openings, extension, flange, suspended sediment bucket and anti-splash interior dome strainer.

OPTIONS (Check/specify appropriate options)

PIPE SIZE

2,3,4,6 [51,76,102,152]
2,3,4 [51,76,102]

(Specify size/type) **OUTLET**

___ NH No-Hub
___ NL Neo-Loc

'E' BODY HT. DIM.

8-1/16 [205]
7-13/16 [198]

PREFIXES

___ Z Type 304 (CF8) Stainless Steel Body*
___ ZM Type 316 (CF8M) Stainless Steel

SUFFIXES

___ -DX	Dex-O-Tex Flange	___ -5	Grate w/ 4 [102] Dia. x 3-3/4 [95] High Type 304 Stainless Steel Funnel
___ -HD	Extra Heavy-Duty Grate	___ -8	Grate w/ 8-3/8 x 3-5/8 x 3-3/4 [213 x 92 x 95] High Type 304 Stainless Steel Oval Funnel
___ -HP	Heel-Proof Grate		
___ -P	1/2 [13] Trap Primer Connection		
___ -SG	Solid Gasketed Cover		
___ -TC	Neo-Loc Test Cap Gasket (2,3,4 [51,76,102] NL Bottom Outlet Only)		
___ -VP	Vandal-Proof Secured Top		
___ -2	1/2 Grate		
___ -3	3/4 Grate		
___ -4	Full Grate w/ 3 [76] Square Opening		

* Regularly furnished unless otherwise specified.