



Z1360-96

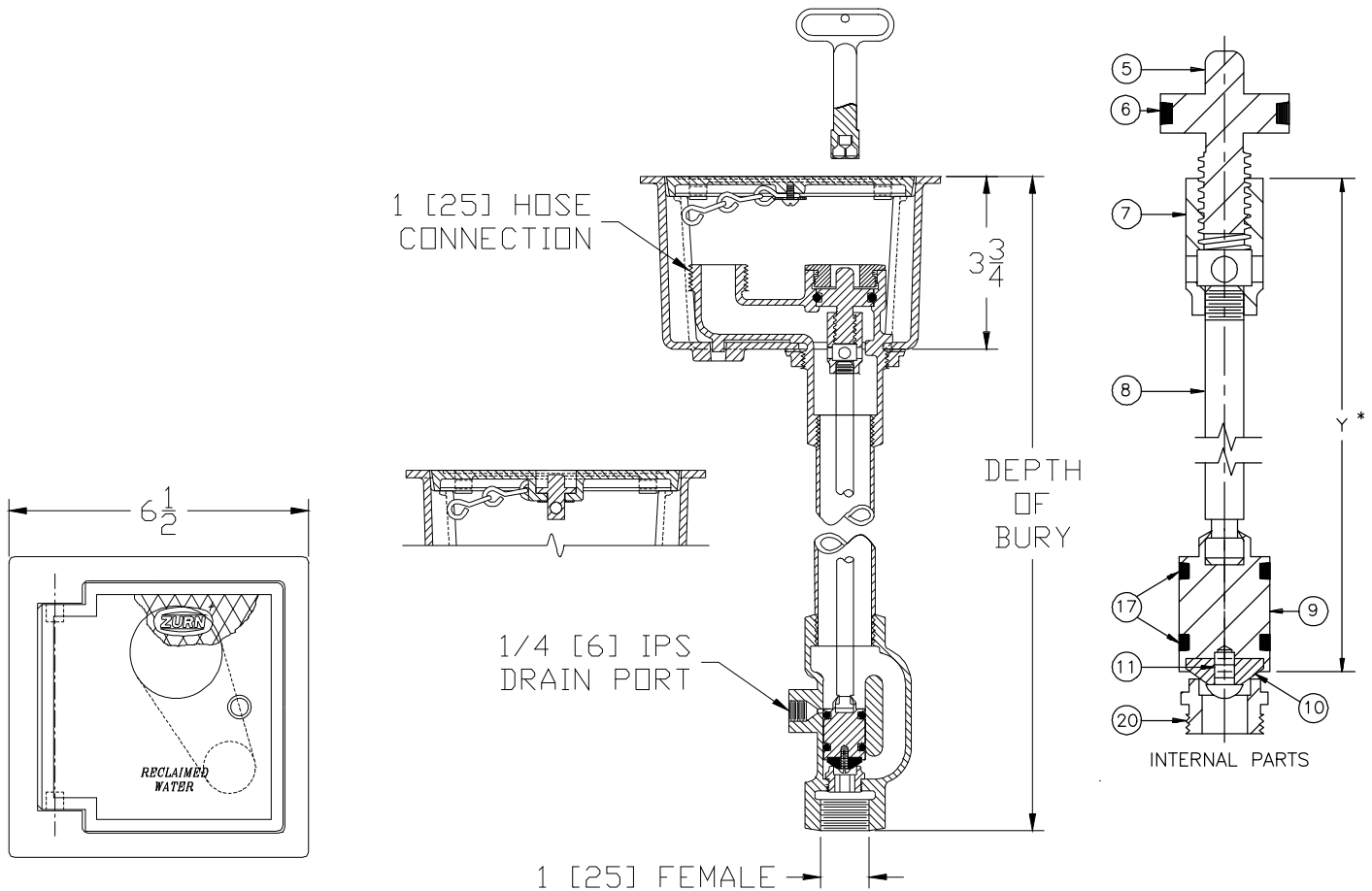
GROUND HYDRANT

Encased, Flush Type, Non-Freeze

SPECIFICATION SHEET

TAG _____

Dimensional Data (inches and [mm]) are Subject to Manufacturing Tolerances and Change Without Notice



Depth of Bury Feet	Approx. Wt. Lbs. [kg]
2 [610]	17 [8]

ENGINEERING SPECIFICATION: ZURN Z1360-96

Encased, non-freeze ground hydrant, for flush with grade or finished (non-traffic) floor installation. Complete with galvanized steel casing, all bronze interior parts, bronze seat and replaceable seat washer, non-turning operating rod with free-floating compression closure valve with 1 [25] connection. Plain bronze box less hinge pins with chain attached scoriated cover with operating key lock and "RECLAIMED WATER" tag on cover. Hydrant is equipped with a tapped 1/4 [6] drain port in the housing.

Note:

- IMPORTANT** Hydrant must be opened one turn to seal drain port during use.

PARTS LIST

OPTIONS (Check/specify appropriate options)

SUFFIXES

- _____ -BC Bronze Casing
- _____ -DP14 1/4 [6] IP Drain Port in Box

Item	Name	Quan.
5	Operating Screw	1
6	O-Ring	1
7	Operating Coupling	1
8	Operating Rod	1
9	Washer Guide	1
10	Washer (neoprene)	1
11	Screw	1
17	O-Ring	2
20	Removable Seat	1

REV. B	DATE: 05/05/08	C.N. NO. 98446
DWG. NO. P-14828	PRODUCT NO. Z1360-96	

*WHEN ORDERING REPLACEMENT PARTS SPECIFY Y DIM.