

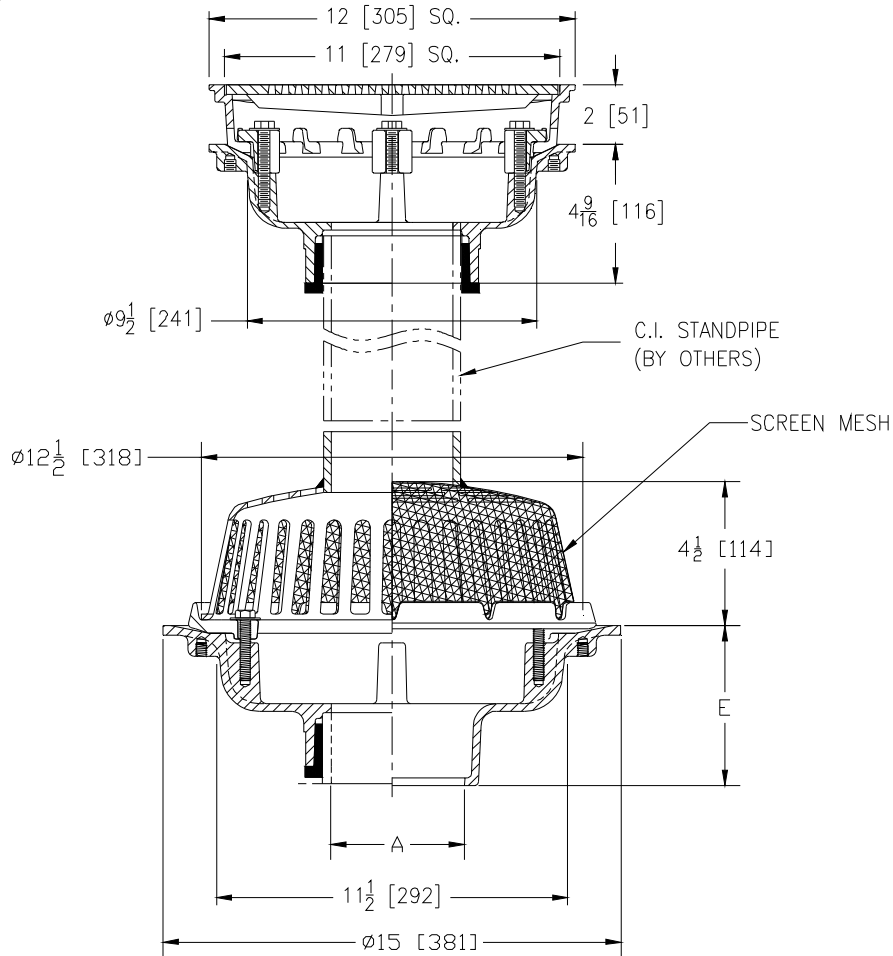


**Z100-230**  
**15 [381] DIAMETER ROOF DRAIN**  
**W/ 12 [305] TOP PROM-DECK DRAIN**

SPECIFICATION SHEET

TAG \_\_\_\_\_

Dimensional Data (inches and [mm]) are Subject to Manufacturing Tolerances and Change Without Notice



A- Pipe Size In.	Approx. Wt. Lbs. [kg]	Grate Open Area Sq. In. [cm <sup>2</sup> ]	Dome Open Area Sq. In. [cm <sup>2</sup> ]
2-3-4 [50-75-100]	55 [25]	34 [219]	103 [665]
5-6 [125-150]	56 [25]		
8 [200]	57 [26]		

**ENGINEERING SPECIFICATION: ZURN Z100-230**

15 [381] Diameter Roof Drain, Dura-Coated cast iron body, combination membrane flashing clamp/gravel guard, low silhouette cast iron dome with pipe coupling and stainless steel mesh screen. Upper body consists of a Z154 12 [305] Square Top Prom-Deck drain, Dura-Coated cast iron body with rotatable light duty square promenade frame with seepage openings, frame clamps and light duty heel-proof grate.

**OPTIONS** (Check/specify appropriate options)

**PIPE SIZE**(Specify size/type for Bottom Drain Only)

- 2 thru 6,8 [51 thru 152,203]
- 2 thru 6,8 [51 thru 152,203]
- 2 thru 6,8 [51 thru 152,203]
- 2,3,4 [51,76,102]
- 6 [152]

**OUTLET TYPE**

- \_\_\_\_\_ IC Inside Caulk
- \_\_\_\_\_ IP Threaded
- \_\_\_\_\_ NH No-Hub
- \_\_\_\_\_ NL Neo-Loc
- \_\_\_\_\_ NL Neo-Loc

**E BODY HT. DIM.**

- 5 1/4 [133]
- 3 3/4 [95]
- 5 1/4 [133]
- 4 9/16 [116]
- 5 7/16 [112]

**PREFIXES**

- \_\_\_\_\_ **ZC-** D.C.C.I. Body with Cast Iron Dome\*

\*REGULARLY FURNISHED UNLESS OTHERWISE SPECIFIED

<b>REV.</b>	<b>DATE: 12/15/10</b>	<b>C.N. NO. 120667</b>
<b>DWG. NO. 303743</b>		<b>PRODUCT NO. Z100-230</b>