

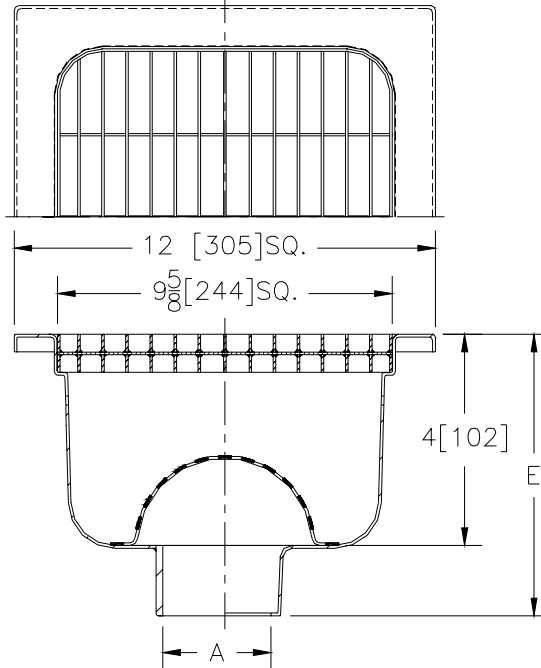


Z-1750-128

12 X 12 [305 x 305] SANI-FLOR RECEPTOR 4 [102] SUMP DEPTH WITH LIGHT DUTY BAR GRATE

TAG _____

Dimensional Data (inches and [mm]) are Subject to Manufacturing Tolerances and Change Without Notice



A- Pipe Size In.	Approx. Wt. Lbs. [kg]	Grate Open Area Sq. In. [cm ²]
2-3-4 [50-75-100]	15 [7]	72 [465]

ENGINEERING SPECIFICATION: ZURN Z-1750-128

12 x 12 x 4 [305 x 305 x 102] deep, 14 gage, All Type 304 (CF8) Stainless Steel light duty Sani-Flor receptor with non-tilt, loose set light duty bar grate and anti-splash interior dome strainer.

OPTIONS (Check/specify appropriate options)

PIPE SIZE

2 thru 4 [50 thru 100]
2 [50]
3 [75]
4 [100]
2 thru 4 [50 thru 100]
2 thru 4 [50 thru 100]

(Specify size/type) OUTLET

___ IC Inside Caulk
___ IP Threaded
___ IP Threaded
___ IP Threaded
___ NH No-Hub
___ NL Neo-Loc

'E' BODY HT. DIM.

6 9/16 [167]
5 5/16 [134]
5 9/16 [141]
6 1/16 [154]
6 1/16 [154]
5 13/16 [148]

PREFIXES

___ Z- Type 304 (CF8) Stainless Steel Body*
___ ZM- Type 316 (CF8M) Stainless Steel

SUFFIXES

___ -DX	Dexotex Flange	___ -4	Full Grate With 3 [76] Square Opening
___ -HD	Extra Heavy Duty Top Frame & Grate	___ -5	Grate w/4 [102] dia. x 3 3/4 [95] High Funnel
___ -HP	Heelproof Grate	___ -8	Grate w/8 3/8 x 3 5/8 x 3 3/4 [213 x 92 x 95] High Oval Funnel
___ -IP	Female Threaded Outlet	___ -15	Solid Cover
___ -K	Seepage Pan	___ -16	1/2 Solid Cover
___ -KC	Seepage Pan With Clamp Collar	___ -17	3/4 Solid Cover
___ -P	1/2 Trap Primer Connection	___ -18	Solid Cover With 3 [76] Square Center Opening
___ -Y	Sediment Bucket		
___ -YS	Suspended Sediment Bucket		
___ -1	(Less) Grate		
___ -2	1/2 Grate		
___ -3	3/4 Grate		

*REGULARLY FURNISHED UNLESS OTHERWISE SPECIFIED

REV. DATE: 5/7/02 C.N. NO. 88487

DWG. NO. P-14894 PRODUCT NO. Z-1750-128