



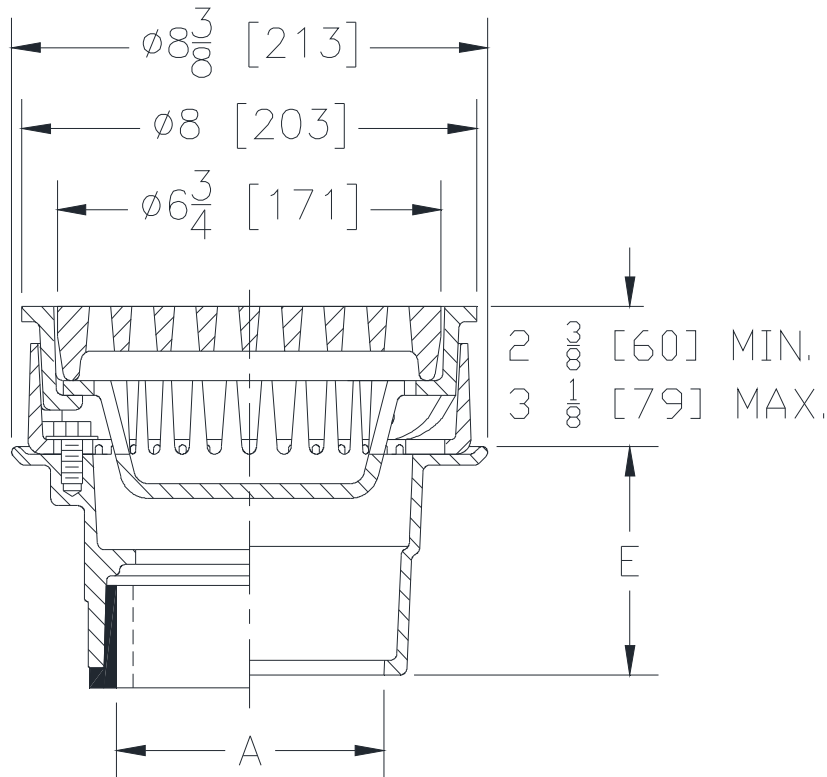
Z556-Y

8 [203] ADJUSTABLE HEAVY DUTY DRAIN W/ SEDIMENT BUCKET

SPECIFICATION SHEET

TAG _____

Dimensional Data (inches and [mm]) are Subject to Manufacturing Tolerances and Change Without Notice



A- Pipe Size In.[mm]	Approx. Wt. Lbs. [kg]	Grate Open Area Sq. In. [cm ²]
2,3,4 [51,76,102]	19 [9]	11 [71]

ENGINEERING SPECIFICATION: ZURN Z556-Y
8" [203mm] Diameter top drain, Dura-Coated cast iron body with bottom outlet and seepage pan, combination membrane flashing clamp/frame with seepage holes, sediment bucket, adjustable extension frame with heavy duty slotted cast iron grate.

OPTIONS (Check/specify appropriate options)

PIPE SIZE	(Specify size/type)	OUTLET	'E' BODY HT. DIM.
2,3,4 [51,76,102]	___	IP Threaded	2-5/8 [67]
2,3,4 [51,76,102]	___	NH No-Hub	3-7/8 [98]
2,3,4 [51,76,102]	___	NL Neo-Loc	4-5/8 [117]

PREFIXES

- ___ Z D.C.C.I. Body and Top*
- ___ ZN D.C.C.I. Body with Polished Nickel Bronze Top (Add 3/16 [5] to 2-3/8 [60] Dim. to 3-1/8 [79] Dim.)

SUFFIXES

- ___ -G Galvanized Cast Iron
- ___ -P Trap Primer Connection
- ___ -TS Secured Top with Slotted Screws
- ___ -VP Vandal-Proof Secured Top

* Regularly furnished unless otherwise specified.