

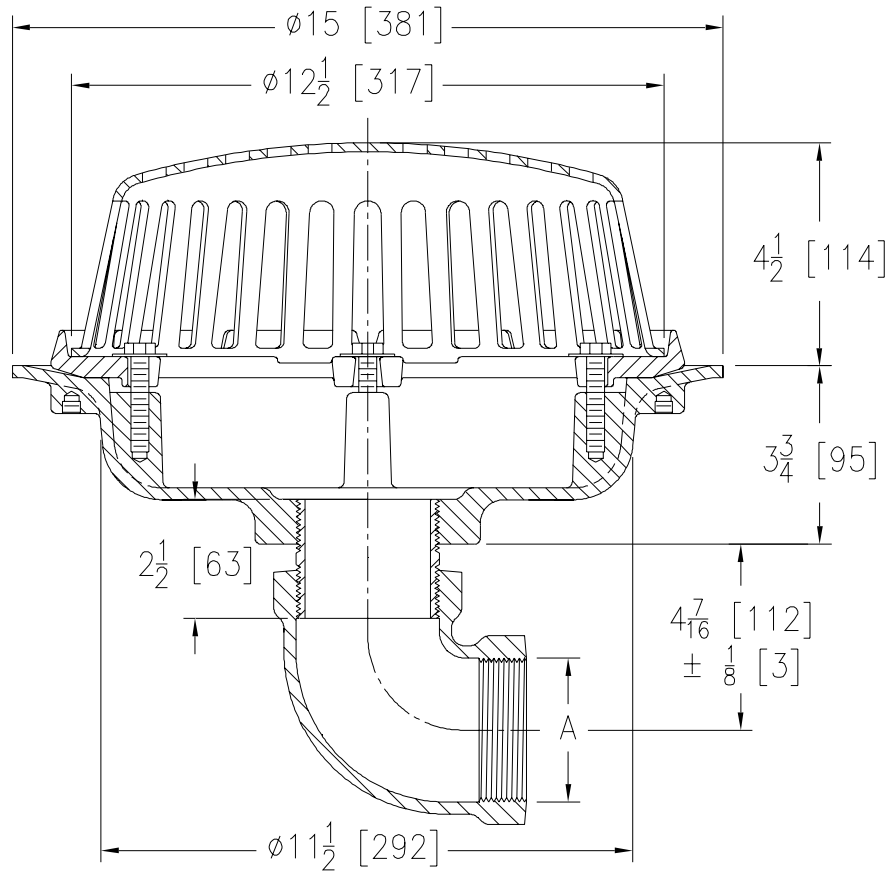


Z1715-75 ROOF DRAIN W/ 90° ELBOW

SPECIFICATION SHEET

TAG _____

Dimensional Data (inches and [mm]) are Subject to Manufacturing Tolerances and Change Without Notice



A- Pipe Size In.	Approx. Wt. Lbs. [kg]	Dome Open Area Sq. In. [cm ²]
4 [102]	52 [24]	112 [723]

ENGINEERING SPECIFICATION: ZURN Z1715-75

Type 304 (CF8) stainless steel roof drain body with galvanized cast iron combination gravel guard/flashing clamp, dome strainer with close nipple and 90° elbow.

OPTIONS (Check/specify appropriate options)

PIPE SIZE

4 [102]

OUTLET

____ IP Threaded

PREFIXES

- ____ Z Type 304 (CF8) Stainless Steel Body*
- ____ ZC Type A-27 Carbon Steel Body (P.O.A.)
- ____ ZM Type 316 (CF8M) Stainless Steel Body

SUFFIXES

- ____ -C Galvanized Underdeck Clamp
- ____ -DP Top-Set® Deck Plate (Replaces both the -C and -R)
- ____ -E Galvanized Extension (Specify Height from 1 - 4 [25 - 102])
- ____ -R Galvanized Steel Sump Receiver
- ____ -VP Vandal-Proof Secured Top

*REGULARLY FURNISHED UNLESS OTHERWISE SPECIFIED

REV.	DATE: 6/18/07	C.N. NO. 96803
DWG. NO. P-15438		PRODUCT NO. Z1715-75

ZURN INDUSTRIES, INC. ♦ SPECIFICATION DRAINAGE OPERATION ♦ 1801 Pittsburgh Ave. ♦ Erie, PA 16514

Phone: 814455-0921 ♦ Fax: 814454-7929 ♦ World Wide Web: www.zurn.com

In Canada: ZURN INDUSTRIES LIMITED ♦ 3544 Nashua Drive ♦ Mississauga, Ontario L4V1L2 ♦ Phone: 905405-8272 Fax: 905405-1292