



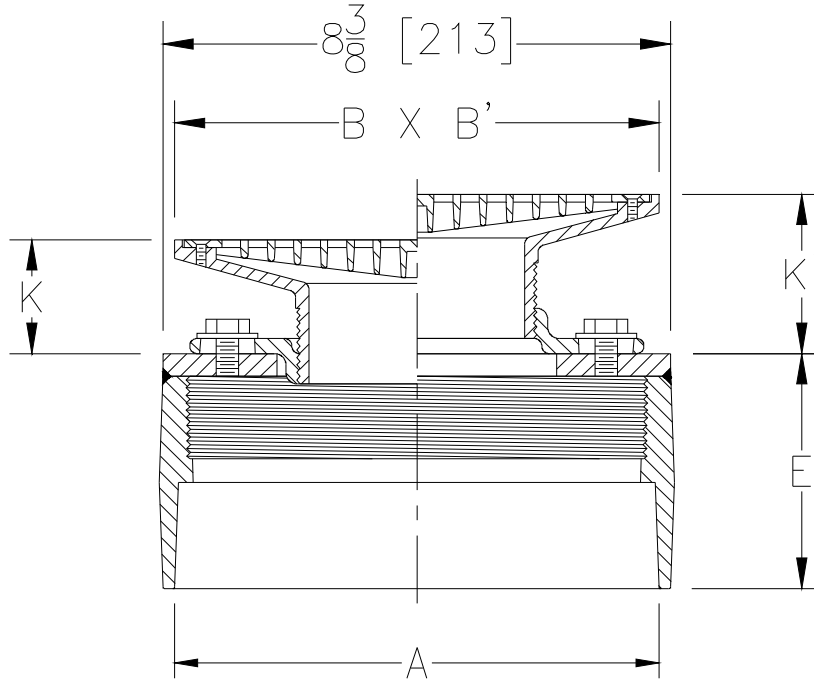
Z415S-97

BODY ASSEMBLY W/ "TYPE S" STRAINER AND 8 [203]NO-HUB OUTLET

SPECIFICATION SHEET

TAG _____

Dimensional Data (inches and [mm]) are Subject to Manufacturing Tolerances and Change Without Notice



Dimensions In Inches						Approx. Wt. Lbs. [kg]	Strainer Open Area Sq. In. [cm ²]
A Pipe Size	B Strainer Dia.	K		K'			
		Min.	Max.	Min.	Max.		
8 [203]	8 [203] x 8 [203]	1 1/8 [29]	1 7/8 [48]	1 7/8 [48]	2 5/8 [67]	15 [7]	28 [181]

ENGINEERING SPECIFICATION: ZURN ZN415S-97 Floor and shower drain, Dura-Coated cast iron body with bottom outlet, combination invertible membrane clamp and adjustable collar with seepage slots and "TYPE B" polished nickel bronze strainer.

OPTIONS (Check/specify appropriate options)

PIPE SIZE
8 [203]

(Specify size/type) **OUTLET**
____ NH No-Hub

'E' BODY HT. DIM.
3 7/8 [98]

PREFIXES

- ___ ZB D.C.C.I. Body Assembly w/ Polished Bronze Top
- ___ ZN D.C.C.I. Body Assembly w/ Polished Nickel Bronze Top*

SUFFIXES

- ___ -AA All Acid Resisting Epoxy
- ___ -AR Acid Resisting Epoxy Coated Cast Iron
- ___ -CP Chrome-Plated Bronze Top
- ___ -DP Decorative Polished Top
- ___ -G Galvanized Cast Iron
- ___ -P Trap Primer Connection (Specify 1/2 [13] or 3/4 [19])
- ___ -U 1 - 3 [25 - 76] High Extension Adapter
- ___ -V Backwater Valve
- ___ -VP Vandal-Proof Secured Top
- ___ -Y Sediment Bucket
- ___ -4 4 [102] Diameter Funnel (Z328)
- ___ -18 Leveling Ring (See Z400-18)

REV.	DATE: 4/6/10	C.N. NO. 110943
DWG. NO. P-15884 PRODUCT NO. Z415S-97		

*REGULARLY FURNISHED UNLESS OTHERWISE SPECIFIED