



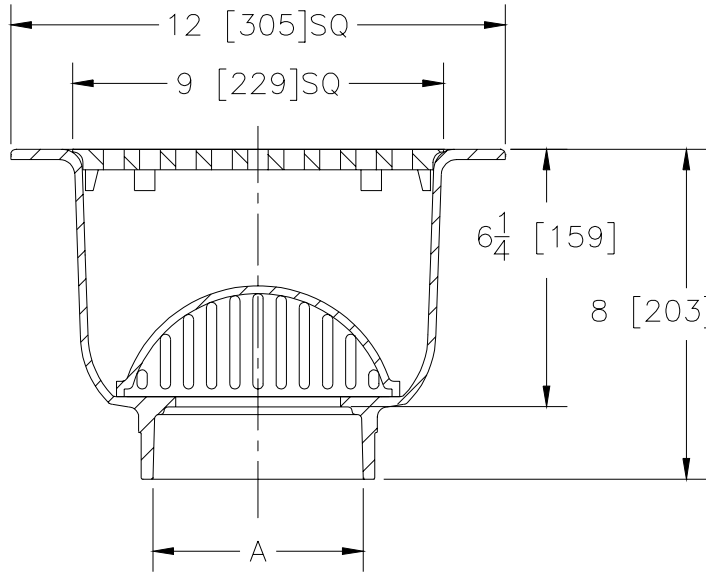
# Z-1900-81

SPECIFICATION SHEET

## 12" x 12" [305 x 305] A.R.E. SANI-FLOR RECEPTOR 6" [152] SUMP DEPTH

TAG \_\_\_\_\_

Dimensional Data (inches and [ mm ]) are Subject to Manufacturing Tolerances and Change Without Notice



A- Pipe Size In.	Approx Wt. Lbs. [kg]	Grate Open Area Sq. In. [cm <sup>2</sup> ]
2-3-4 [50-75-100]	32 [15]	31 [200]

**ENGINEERING SPECIFICATION:** ZURN Z-1900-81 Sani-Flor Receptor 12 x 12 x 6 [305 x 305 x 152] deep cast iron body and square slotted medium duty grate, with white acid resisting porcelain enamel interior and top, complete with aluminum anti-splash interior bottom dome strainer.

**OPTIONS** (Check/specify appropriate options)

**PIPE SIZE**

2, 3, 4 [50, 75, 100]

(Specify size/type) **OUTLET**

\_\_\_\_\_ NL Neo-Loc

**PREFIXES**

- \_\_\_\_\_ Z- Cast Iron Body with White A.R.E. Interior\*
- \_\_\_\_\_ ZN- Cast Iron Body with White A.R.E. Interior, 12 1/2 [318] Square N.B. Frame and Full Grate with 1/2 [13] Square Openings (Add 1/2 [13] to 12 [305] and 'E' Dim.)

**SUFFIXES**

- \_\_\_\_\_ -DX Dex-o-Tex Flange
- \_\_\_\_\_ -HD Nickel Bronze Frame w/X-Heavy Duty Stainless Steel Grate
- \_\_\_\_\_ -HP Heelproof Grate (1/4 [6] Sq. Openings)
- \_\_\_\_\_ -K Flange With Seepage Holes
- \_\_\_\_\_ -KC Flange With Seepage Holes With Clamp Collar
- \_\_\_\_\_ -LD (Less) Bottom Dome Strainer
- \_\_\_\_\_ -P 1/2 [13] Trap Primer Connection (See Z-1023)
- \_\_\_\_\_ -1 (Less) Grate
- \_\_\_\_\_ -2 1/2 Grate
- \_\_\_\_\_ -3 3/4 Grate
- \_\_\_\_\_ -4 Full Grate With 2 [51] Square Opening
- \_\_\_\_\_ -5 Grate w/4 [102] dia. x 3 3/4 [95] High Funnel
- \_\_\_\_\_ -6 Grate w/6 [152] dia. x 6 [152] High Funnel
- \_\_\_\_\_ -7 Grate w/6 3/4 x 3 x 1 [171 x 76 x 25] High Oval Funnel
- \_\_\_\_\_ -8 Grate w/8 7/8 x 3 5/8 x 3 3/4 [225 x 92 x 95] High Oval Funnel
- \_\_\_\_\_ -9 Angle Frame and Grate
- \_\_\_\_\_ -11 Vandal Proof Secured Grate
- \_\_\_\_\_ -12 Depressed Aluminum Grate
- \_\_\_\_\_ -15 Solid Loose Set Cover
- \_\_\_\_\_ -16 1/2 Solid Loose Set Cover
- \_\_\_\_\_ -17 3/4 Solid Loose Set Cover
- \_\_\_\_\_ -18 Solid Loose Set Cover With 2 [51] Square Center Opening
- \_\_\_\_\_ -19 Full Hinged Grate
- \_\_\_\_\_ -23 Aluminum Bucket
- \_\_\_\_\_ -25 White A.R.E. Bucket
- \_\_\_\_\_ -31 Stainless Steel Mesh Liner for Bucket
- \_\_\_\_\_ -33 White A.R.E. Anti-Splash Bottom Dome Strainer
- \_\_\_\_\_ -34 N.B. Anti-Splash Bottom Dome Strainer

REV. DATE: 3/25/99 C.N. NO. 82387

DWG. NO. P-14699 PRODUCT NO. Z-1900-81

\*REGULARLY FURNISHED UNLESS OTHERWISE SPECIFIED

ZURN INDUSTRIES, INC. ♦ SPECIFICATION DRAINAGE OPERATION ♦ 1801 Pittsburgh Ave. ♦ Erie, PA 16514

Phone: 814/455-0921 ♦ Fax: 814/454-7929 ♦ World Wide Web: www.zurn.com

In Canada: ZURN INDUSTRIES LIMITED ♦ 3544 Nashua Drive ♦ Mississauga, Ontario L4V1L2 ♦ Phone: 905/405-8272 Fax: 905/405-1292