



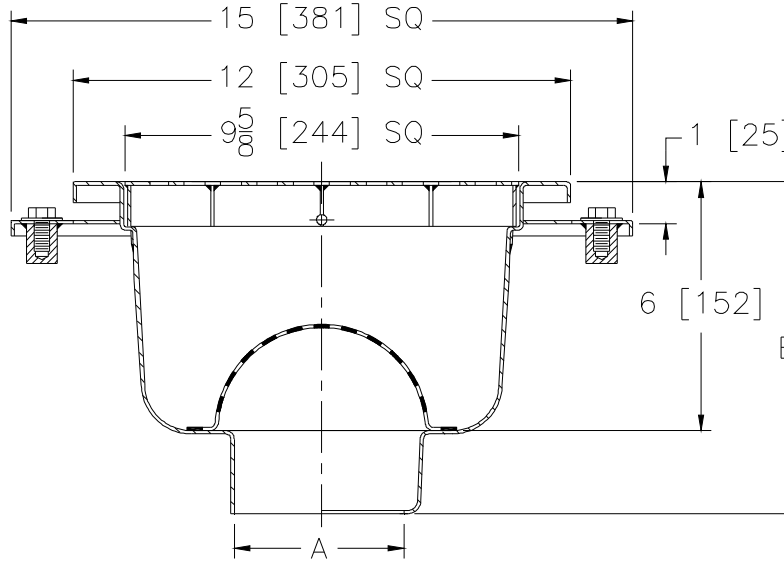
Z1750-162

12 x 12 [305 x 305] SANI-FLOR RECEPTOR 6 [152]
SUMP DEPTH W/ 1 [25] DEPTH ANCHOR FLANGE
& CLAMP COLLAR

SPECIFICATION SHEET

TAG _____

Dimensional Data (inches and [mm]) are Subject to Manufacturing Tolerances and Change Without Notice



A Pipe Size in Inches [mm]	Approx. Wt. Lbs. [kg]	Grate Open Area Sq. In. [cm ²]
2,3,4 [51,76,102]	15 [7]	23 [148]
6 [152]	17 [8]	

ENGINEERING SPECIFICATION: ZURN Z1750-162

12" x 12" x 6" [305mm x 305mm x 152mm] deep, 16 gage, All Type 304 (CF8) Stainless Steel light duty Sani-Flor receptor with 1" [25mm] depth seepage pan with seepage holes and clamp collar, non-tilt, loose set full grate with 1/2" [13mm] square openings and anti-splash interior dome strainer.

OPTIONS (Check/specify appropriate options)

PIPE SIZE

- 2,3,4 [51,75,102]
- 2 [51]
- 3 [76]
- 4 [102]
- 2,3,4,6 [51,76,102,152]
- 2,3,4 [51,75,102]

(Specify size/type) OUTLET

- _____ IC Inside Caulk
- _____ IP Threaded
- _____ IP Threaded
- _____ IP Threaded
- _____ NH No-Hub
- _____ NL Neo-Loc

'E' BODY HT. DIM.

- 8-9/16 [214]
- 7-5/16 [186]
- 7-9/16 [198]
- 8-1/16 [205]
- 8-1/16 [205]
- 7-13/16 [198]

PREFIXES

- _____ Z Type 304 (CF8) Stainless Steel Body*
- _____ ZM Type 316 (CF8M) Stainless Steel

SUFFIXES

- | | | | |
|------------|--|-----------|--|
| _____ -DX | Dex-o-tex Flange | _____ -4 | Full Grate w/ 3 [76] Square Opening |
| _____ -HD | Extra Heavy-Duty Grate | _____ -5 | Grate w/ 4 [102] Dia. x 3 3/4 [95] High Type 304 Stainless Steel Funnel |
| _____ -HP | Heel-Proof Grate | _____ -8 | Grate w/ 8 3/8 x 3 5/8 x 3 3/4 [213 x 92 x 95] High Type 304 Stainless Steel Oval Funnel |
| _____ -LSH | (Less) Seepage Holes | _____ -15 | Solid Cover |
| _____ -P | 1/2 [13] Trap Primer Connection | _____ -16 | 1/2 Solid Cover |
| _____ -SG | Solid Gasketed Cover | _____ -17 | 3/4 Solid Cover |
| _____ -TC | Neo-Loc Test Cap Gasket (2-4 [51-102] NL Bottom Outlet Only) | _____ -18 | Solid Cover w/ 3 [76] Square Center Opening |
| _____ -VP | Vandal-Proof Secured Top | _____ -19 | Full Hinged Grate |
| _____ -Y | Sediment Bucket | _____ -20 | Full Hinged Solid Cover |
| _____ -YS | Suspended Sediment Bucket | | |
| _____ -1 | (Less) Grate | | |
| _____ -2 | 1/2 Grate | | |
| _____ -3 | 3/4 Grate | | |

* Regularly furnished unless otherwise specified.