



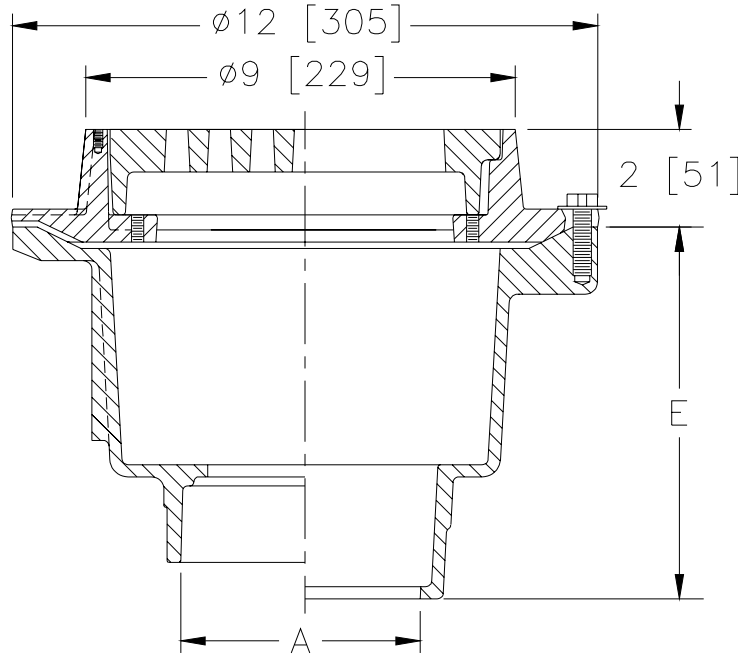
Z511-82

9 [229] HEAVY DUTY DRAIN WITH 1/2 GRATE

SPECIFICATION SHEET

TAG _____

Dimensional Data (inches and [mm]) are Subject to Manufacturing Tolerances and Change Without Notice



A- Pipe Size In.	Approx. Wt. Lbs. [kg]	Grate Open Area Sq. In. [cm ²]
2-3-4 [51-76-102]	40 [18]	23 [148]

ENGINEERING SPECIFICATION: ZURN Z511-82

9 [229] Diameter top drain, Dura-Coated cast iron deep sump body with bottom outlet, seepage pan and combination membrane flashing clamp and frame for heavy duty cast iron deep flange half grate.

OPTIONS (Check/specify appropriate options)

PIPE SIZE

- 2-3-4 [51-76-102]
- 2-3-4 [51-76-102]
- 2-3-4 [51-76-102]

(Specify size/type) **OUTLET**

- ___ IC Inside Caulk
- ___ IG Inside Caulk w/Sealtrol Gskt.
- ___ NL Neo-Loc

'E' BODY HT. DIM.

- 7 1/2 [190]
- 7 1/2 [190]
- 6 5/8 [168]

PREFIXES

- ___ Z D.C.C.I. Body and Top*
- ___ ZB D.C.C.I. Body w/Polished Bronze Top
- ___ ZN D.C.C.I. Body w/Polished Nickel Bronze Top

SUFFIXES

- | | |
|--|---|
| <ul style="list-style-type: none"> ___ -AR Acid Resisting Epoxy Coated Cast Iron ___ -BT Bell Trap Bucket ___ -DG Duresist Grate ___ -F Extension Frame (Specify Total Height Req'd.) ___ -G Galvanized Cast Iron ___ -J Auxiliary Inlet Connection
(Specify 1 1/2 [38] or 2 [51] IP, Number & Location) ___ -P TrapPrimerConnection ___ -S Secondary Strainer ___ -TC Neo-Loc Test Cap Gasket
(2 [51]-4 [102] NL Bottom Outlet Only) | <ul style="list-style-type: none"> ___ -TS Top Secured with Slotted Screws ___ -V Backwater Valve ___ -VP Vandal-Proof Secured Top ___ -W Winter Closure Plug ___ -Y Sediment Bucket |
|--|---|

REV.	DATE: 10/19/05	C.N. NO. 93890
DWG. NO. P-15214 PRODUCT NO. Z511-82		

*REGULARLY FURNISHED UNLESS OTHERWISE SPECIFIED