

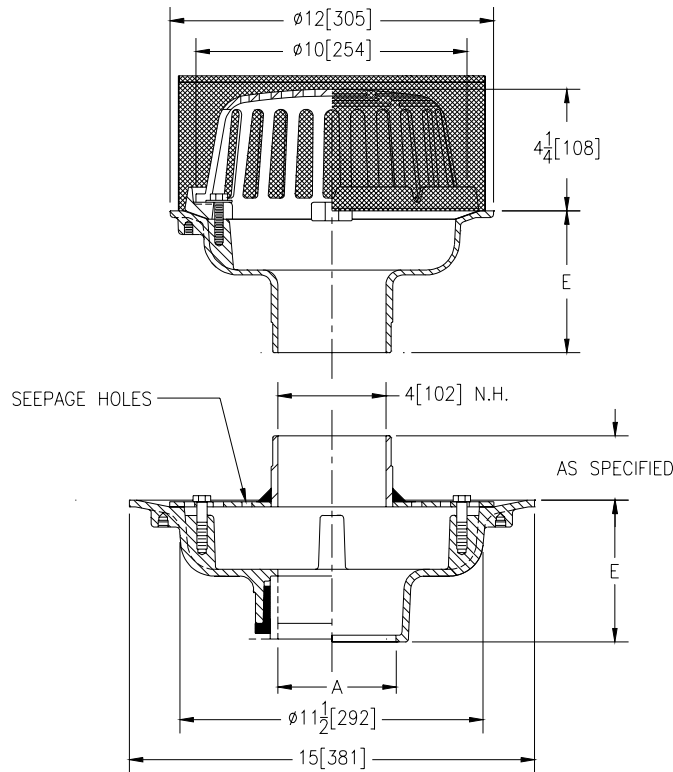


# Z-121-99 12 [381] DIAMETER MAIN ROOF DRAIN

SPECIFICATION SHEET

TAG \_\_\_\_\_

Dimensional Data (inches and [mm]) are Subject to Manufacturing Tolerances and Change Without Notice



A- Pipe Size In.	Approx. Wt. Lbs. [kg]
2-3-4 [50-75-100]	26 [12]
5-6 [125-150]	27 [12]
8 [200]	28 [13]
10 [250]	30 [14]

**ENGINEERING SPECIFICATION:** ZURN Z-121-99 12 [305] Diameter top drain. Dura-Coated cast iron upper and lower bodies, upper clamp collar, lower clamp collar with 4 [102] No-Hub adapter and bronze dome strainer with bronze mesh screen.

**OPTIONS** (Check/specify appropriate options)

**PIPE SIZE**

- 2 thru 6, 8, 10 [50 thru 150,200,250]
- 2 thru 6, 8, 10 [50 thru 150,200,250]
- 2 thru 6, 8, 10 [50 thru 150,200,250]
- 2,3,4 [50,75,100]

(Specify size/type) **OUTLET**

- \_\_\_\_\_ IC Inside Caulk
- \_\_\_\_\_ IP Threaded
- \_\_\_\_\_ NH No-Hub
- \_\_\_\_\_ NL Neo-Loc

**E BODY HT. DIM.**

- 5 1/4 [133]
- 3 3/4 [95]
- 5 1/4 [133]
- 4 5/8 [117]

**PREFIXES**

- \_\_\_\_\_ ZB- D.C.C.I. Body With Bronze Dome And Mesh Screen\*

**SUFFIXES**

- \_\_\_\_\_ -AC Angular Underdeck Clamp
- \_\_\_\_\_ -C Underdeck Clamp
- \_\_\_\_\_ -G Galvanized Cast Iron
- \_\_\_\_\_ -R Roof Sump Receiver (Lower Body)
- \_\_\_\_\_ -XJ Vertical Expansion Joint (See Z-190)
- \_\_\_\_\_ -90 90° Threaded Side Outlet Body

REV.	DATE: 5/22/98	C.N. NO. 80608
DWG. NO. P-14627 PRODUCT NO. Z-121-99		

\*REGULARLY FURNISHED UNLESS OTHERWISE SPECIFIED