



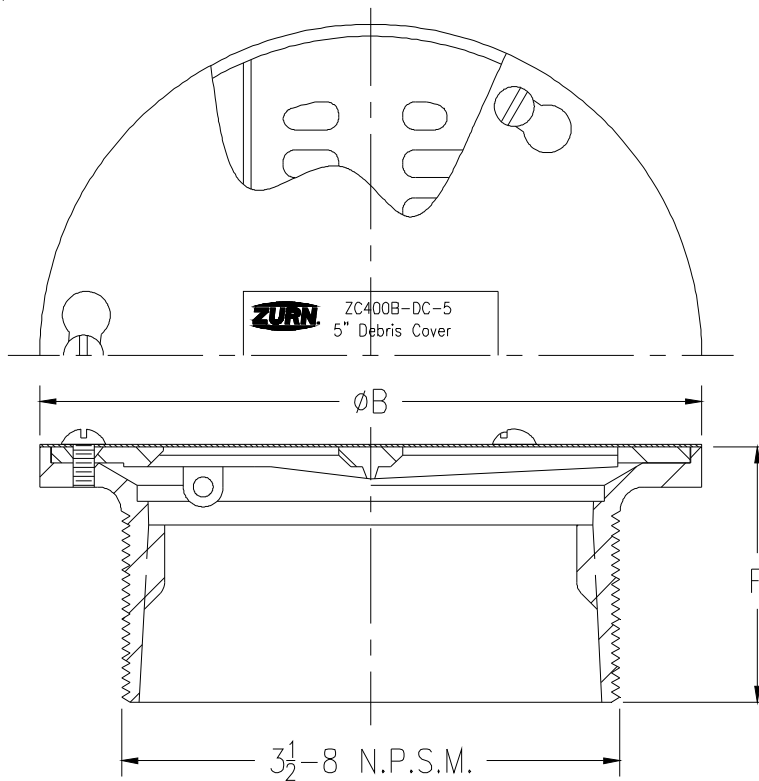
Z400C-DC

SPECIFICATION SHEET

"TYPE C" ROUND HINGED STRAINER W/ DEBRIS COVER

TAG _____

Dimensional Data (inches and [mm]) are Subject to Manufacturing Tolerances and Change Without Notice



5" Top Illustrated

| Strainer Designation | Dimension in Inches | | Approx. Wt. Lbs. [kg] | Open Area Sq. In. [cm ²] (After Removal of Debris Cover) |
|----------------------|---------------------|------------|-----------------------|--|
| | Size B | Height F | | |
| -5C | 5 [127] | 2 [51] | 2 [1] | 8 [52] |
| -6C | 6 [152] | 2-1/4 [57] | 3 [1] | 9 [58] |
| -7C | 7 [178] | 2-5/8 [67] | 4 [2] | 13 [84] |
| -8C | 8 [203] | 2-5/8 [67] | 5 [2] | 18 [116] |

ENGINEERING SPECIFICATION: ZURN Z()400C-DC "TYPE C" round adjustable light-duty strainer top with slotted heel-proof openings, hinged grate and galvanized steel construction debris cover. (Specify ZB or ZN finish)

OPTIONS (Check/specify appropriate options)

PREFIXES

- ___ ZB Polished Bronze Top
- ___ ZN Polished Nickel Bronze Top

SUFFIXES

- ___ -CP Chrome Plated Bronze Top
- ___ -V Backwater Valve
- ___ -VP Vandal-Proof Secured Top
- ___ -Y Sediment Bucket

REV. - DATE: 11/09/11 C.N. NO. 122423

DWG. NO. 308195 PRODUCT NO. Z400C-DC

ZURN INDUSTRIES, LLC. ♦ SPECIFICATION DRAINAGE OPERATION ♦ 1801 Pittsburgh Ave. ♦ Erie, PA 16514

Phone: 814/455-0921 ♦ Fax: 814/454-7929 ♦ World Wide Web: www.zurn.com

In Canada: ZURN INDUSTRIES LIMITED ♦ 3544 Nashua Drive ♦ Mississauga, Ontario L4V1L2 ♦ Phone: 905/405-8272 Fax: 905/405-1292