



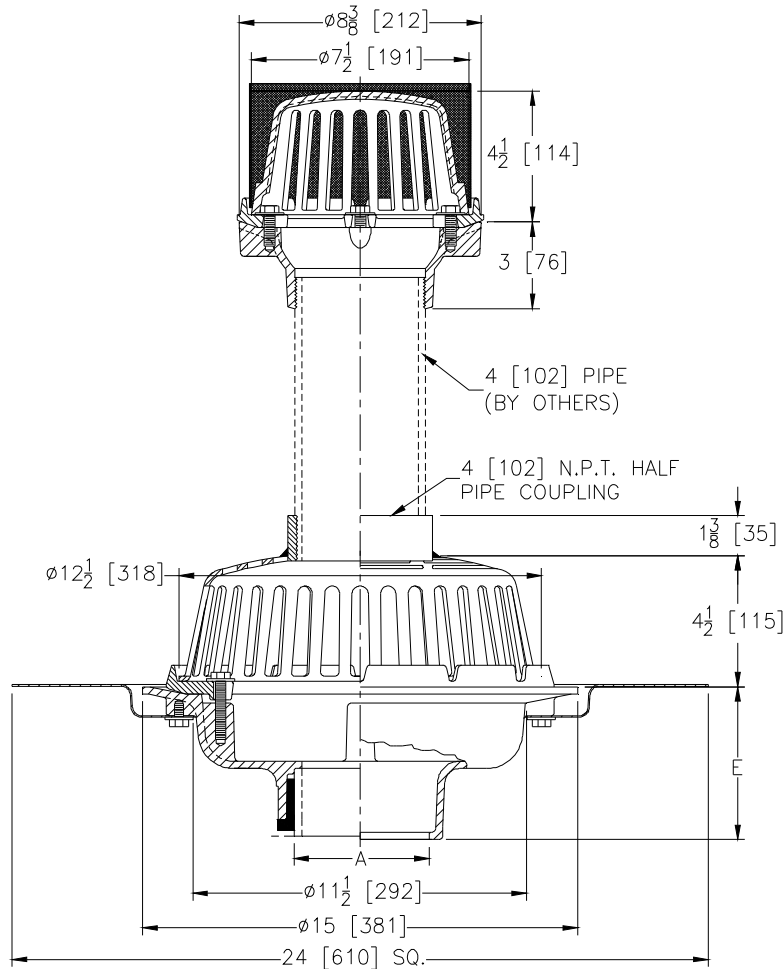
Z100-216

15 [381] DIAMETER MAIN ROOF DRAIN W/THREADED STANDPIPE, TOP-SET® DECK PLATE AND Z125-SS UPPER ASSEMBLY

SPECIFICATION SHEET

TAG _____

Dimensional Data (inches and [mm]) are Subject to Manufacturing Tolerances and Change Without Notice



A Pipe Size In.	Approx. Wt. Lbs. [kg]	Dome Open Area Sq. In. [cm ²]
2,3,4 [51,76,102]	40 [18]	43 [227]
5,6 [127,152]	39 [17]	

ENGINEERING SPECIFICATION: ZURN Z100-216

15 [381] Diameter roof drain. Dura-Coated cast iron body with combination membrane flashing clamp/gravel guard, top-set® deck plate, and low silhouette cast iron dome with threaded standpipe. Upper assembly is 8 3/8 [213] Diameter roof drain. Dura-Coated cast iron body with combination membrane flashing clamp/gravel guard and low silhouette cast iron dome with stainless steel mesh liner.

OPTIONS (Check/specify appropriate options)

PIPE SIZE

2 thru 6 [51 thru 152]
2 thru 6 [51 thru 152]
2 thru 6 [51 thru 152]
2,3,4 [51,76,102]
6 [152]

(Specify size/type) OUTLET

____ IC Inside Caulk
____ IP Threaded
____ NH No-Hub
____ NL Neo-Loc
____ NL Neo-Loc

E BODY HT. DIM.

5 1/4 [133]
3 3/4 [95]
5 1/4 [133]
4 9/16 [116]
5 7/16 [112]

PREFIXES

____ Z D.C.C.I. Body and Dome*

SUFFIXES

____ -AC Angular Underdeck Clamp
____ -AR Acid Resistant Epoxy Coated
____ -BS Bronze Mesh Screen Over Lower Dome
____ -G Galvanized Cast Iron
____ -GD Galvanized Cast Iron Dome (ZC Only)
____ -SS Stainless Steel Mesh Screen Over Lower Dome
____ -TC Neo-Loc Test Cap Gasket
(2 - 4 [51 - 102] NL Bottom Outlet Only)

____ -VP Vandal-Proof Secured Top
____ -90 90° Threaded Side Outlet Body
(2 thru 6 [51 or 152])

*REGULARLY FURNISHED UNLESS OTHERWISE SPECIFIED

REV. DATE: 12/8/09 C.N. NO. 110503

DWG. NO. P-15806 PRODUCT NO. Z100-216

ZURN INDUSTRIES, LLC ♦ SPECIFICATION DRAINAGE OPERATION ♦ 1801 Pittsburgh Ave. ♦ Erie, PA 16514

Phone: 814/455-0921 ♦ Fax: 814/454-7929 ♦ World Wide Web: www.zurn.com

In Canada: ZURN INDUSTRIES LIMITED ♦ 3544 Nashua Drive ♦ Mississauga, Ontario L4V1L2 ♦ Phone: 905/405-8272 Fax: 905/405-1292