



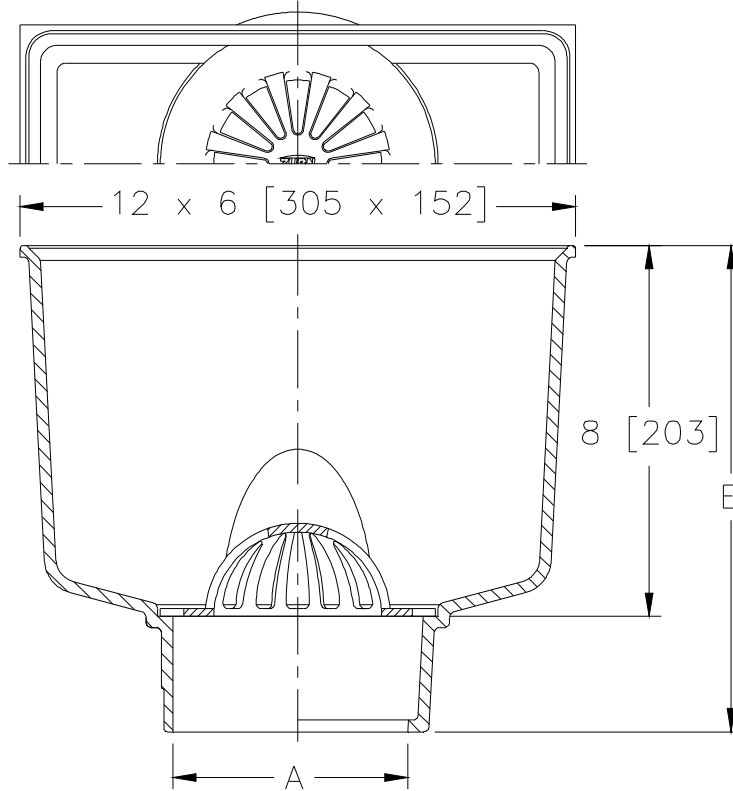
Z1940-1

12 X 6 [305 X 152] A.R.C. SANI-FLOR RECEPTOR 8 [203]
SUMP DEPTH LESS GRATE

SPECIFICATION SHEET

TAG _____

Dimensional Data (inches and [mm]) are Subject to Manufacturing Tolerances and Change Without Notice



A Pipe Size In. [mm]	Approx Wt. Lbs. [kg]
2,3,4 [51,76,102]	24 [11]

ENGINEERING SPECIFICATION: ZURN Z1940-1

Sani-Flor Receptor 12" x 6" x 8" [305mm x 152mm x 203mm] deep cast iron body less grate, with white acid resisting epoxy coated interior and top, complete with white ABS anti-splash interior bottom dome strainer.

OPTIONS (Check/specify appropriate options)

PIPE SIZE

2,3,4 [51,76,102]
2,3,4 [51,76,102]
2,3,4 [51,76,102]

OUTLET (Specify size/type)

___	IC	Inside Caulk
___	NH	No-Hub
___	NL	Neo-Loc

'E' BODY HT. DIMENSION

Z	ZN
10-1/2 [267]	10-7/8 [276]
10-1/2 [267]	10-7/8 [276]
10 [254]	10-3/8 [264]

PREFIXES

___ Z	Cast Iron Body with White A.R.C. Interior*
___ ZN	Cast Iron Body with White A.R.C. Interior, 13 x 7 [330 x 178] (less) Grate

SUFFIXES

___ -K	Anchor Flange with Seepage Holes	___ -23	Aluminum Bucket
___ -KC	Anchor Flange with Seepage Holes and Clamp Collar	___ -25	White A.R.C. Bucket
___ -LD	(Less) Bottom Dome Strainer	___ -31	Stainless Steel Mesh Liner for Bucket
___ -P	1/2 [13] Trap Primer Connection	___ -32	Aluminum Dome Strainer
___ -S	Secondary Strainer	___ -33	White A.R.C. Anti-Splash Bottom Dome Strainer
___ -TC	Neo-Loc Test Cap Gasket (2,3,4 [51,76,102] NL Bottom Outlet Only)		

* Regularly furnished unless otherwise specified.

Zurn Industries, LLC | Specification Drainage Operation
1801 Pittsburgh Avenue, Erie, PA U.S.A. 16502 · Ph. 855-663-9876, Fax 814-454-7929
In Canada | Zurn Industries Limited
3544 Nashua Drive, Mississauga, Ontario L4V 1L2 · Ph. 905-405-8272, Fax 905-405-1292
www.zurn.com

Rev. B
Date: 10/13/17
C.N. No. 138825
Prod. | Dwg. No. Z1940-1