



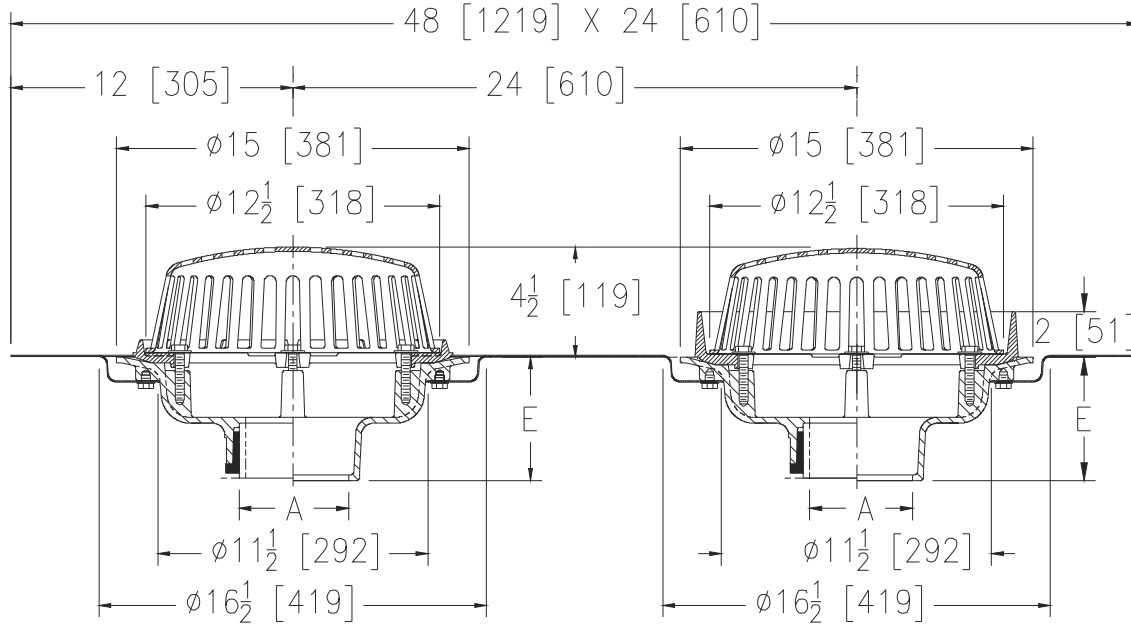
Z163-89

15 [381] DIAMETER COMBINATION MAIN ROOF & OVERFLOW
DRAIN W/ LOW SILHOUETTE DOMES, DOUBLE TOP-SET®
DECK PLATE & 2 [51] EXTERNAL WATER DAM

SPECIFICATION SHEET

TAG _____

Dimensional Data (inches and [mm]) are Subject to Manufacturing Tolerances and Change Without Notice



A Pipe Size In. [mm]	Approx. Wt. Lbs. [kg]	Dome Open Area Sq. In. [cm ²]
2,3,4 [51,76,102]	73 [33]	103 [665]
6 [152]	74 [34]	
8 [203]	75 [34]	

ENGINEERING SPECIFICATION: ZURN Z163-89

15" [381mm] Diameter primary roof drain and overflow drain with 2" [51] external water dam, Dura-Coated cast iron bodies with combination membrane flashing clamp/gravel guards, double Top-Set® deck plate, and low silhouette Poly-Domes.

OPTIONS (Check/specify appropriate options)

PIPE SIZE

3,4,6 [76,102,152]
2,3,4,6,8 [51,76,102,152,203]
2,3,4,6,8 [51,76,102,152,203]
2,3,4 [51,76,102]

(Specify size/type) OUTLET

_____ IC Inside Caulk
_____ IP Threaded
_____ NH No-Hub
_____ NL Neo-Loc

E BODY HT. DIM.

5-1/4 [133]
3-3/4 [95]
5-1/4 [133]
4-5/8 [117]

PREFIXES

_____ Z D.C.C.I. Body with Poly-Dome*
_____ ZA D.C.C.I. Body with Aluminum Dome
_____ ZC D.C.C.I. Body with Cast Iron Dome

SUFFIXES

_____ -AR	Acid Resistant Epoxy Coated Finish	_____ -SS	Stainless Steel Mesh Screen Over Dome
_____ -DE	Deck Extension	_____ -TC	Neo-Loc Test Cap Gasket (2,3,4 [51,76,102] NL Bottom Outlet Only)
_____ -DR	Top-Set® Drain Riser	_____ -VP	Vandal Proof Secured Top
_____ -E	Static Extension 1 thru 4 [25 thru 102] (Specify Ht.)	_____ -XJ	Vertical Expansion Joint (See Z190)
_____ -EA	Adjustable Extension Assembly 2-1/8 thru 3-1/2 [54 thru 89]	_____ -84	Stainless Steel Perforated Gravel Guard
_____ -G	Galvanized Cast Iron	_____ -85	Stainless Steel Perforated Extension
_____ -GD	Galvanized Cast Iron Dome		
_____ -HD	6-3/4 [171] High Aluminum Dome Strainer (148 in ² [955 cm ²] Open Area)(ZA Only)		
_____ -SC	Secondary Clamping Collar		

* Regularly furnished unless otherwise specified.