

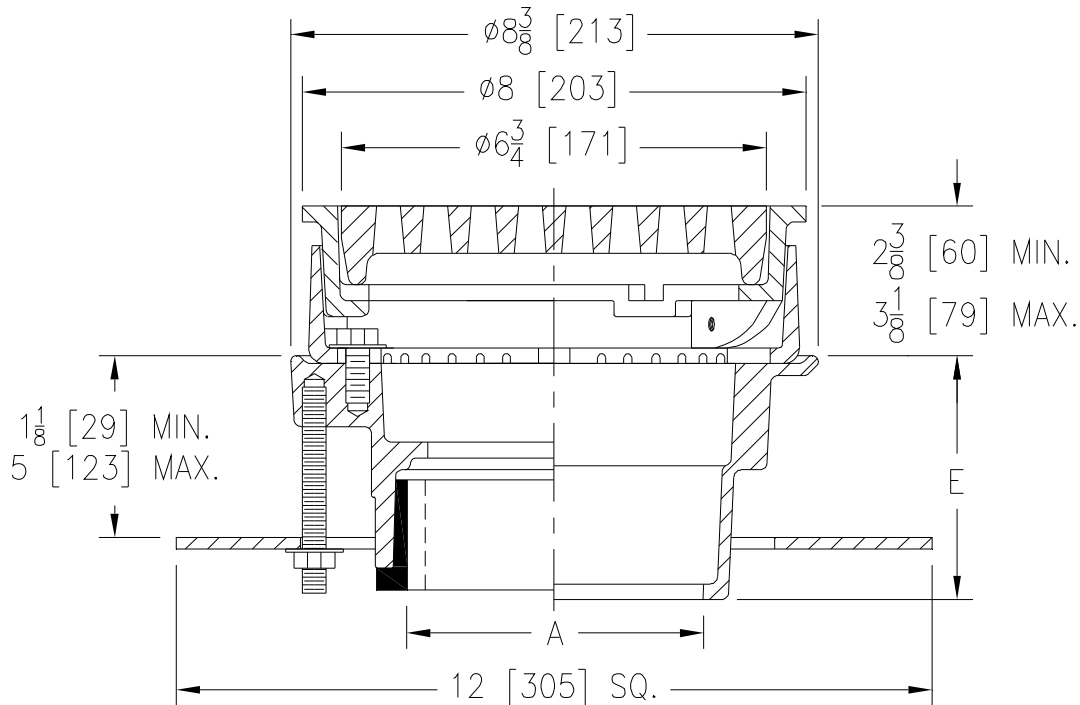


# Z556-77

## 8 [203] ADJUSTABLE HEAVY-DUTY DRAIN W/UNDERDECK CLAMP

TAG \_\_\_\_\_

Dimensional Data (inches and [ mm ]) are Subject to Manufacturing Tolerances and Change Without Notice



A - Pipe Size Inches [mm]	Approx. Wt. Lbs. [kg]	Grate Open Area Sq. In. [cm <sup>2</sup> ]
2-3-4 [51-76-102]	19 [9]	11 [71]

**ENGINEERING SPECIFICATION:** ZURN Z556-77 8[203] Diameter top drain, Dura-Coated cast iron body with bottom outlet, seepage pan and combination membrane flashing clamp, underdeck clamp, and frame for adjustable extension with heavy-duty slotted cast iron grate.

**OPTIONS** (Check/specify appropriate options)

**PIPE SIZE**

- 2-3-4 [51-76-102]
- 2-3-4 [51-76-102]
- 2-3-4 [51-76-102]
- 2-3-4 [51-76-102]
- 2-3-4 [51-76-102]

(Specify size/type) **OUTLET**

- \_\_\_ IC Inside Caulk
- \_\_\_ IG Inside Caulk w/Sealtrol Gskt.
- \_\_\_ IP Threaded
- \_\_\_ NH No-Hub
- \_\_\_ NL Neo-Loc

**'E' BODY HT. DIM.**

- 3 7/8 [98]
- 3 7/8 [98]
- 2 5/8 [67]
- 3 7/8 [98]
- 3 3/4 [95]

**PREFIXES**

- \_\_\_ Z D.C.C.I. Body and Top\*
- \_\_\_ ZN D.C.C.I. Body with Polished Nickel Bronze Top (Add 3/16 [5] to 2 3/8 [60] - 3 1/8 [79] Dim.)

**SUFFIXES**

- \_\_\_ -AR Acid Resisting Epoxy Coated Finish
- \_\_\_ -G Galvanized Cast Iron
- \_\_\_ -P Trap Primer Connection
- \_\_\_ -TC Neo-Loc Test Cap Gasket  
(2 [51] - 4 [102] NL Bottom Outlet Only)
- \_\_\_ -TS Top Secured with Slotted Screws
- \_\_\_ -V Backwater Valve (See Z1099)
- \_\_\_ -VP Vandal-Proof Secured Top
- \_\_\_ -Y Sediment Bucket
- \_\_\_ -90 90° Threaded Side Outlet Body  
(2 [51] thru 4 [102])

\*REGULARLY FURNISHED UNLESS OTHERWISE SPECIFIED

REV.	DATE: 4/27/09	C.N. NO. 99937
DWG. NO. P-15701	PRODUCT NO. Z556-77	