



Z886-HDS-LD-SW2

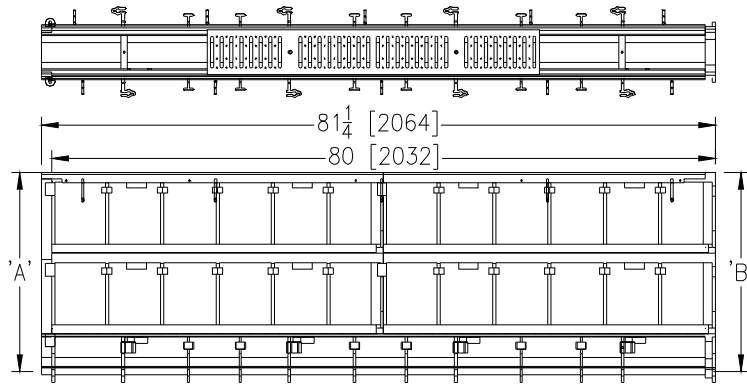
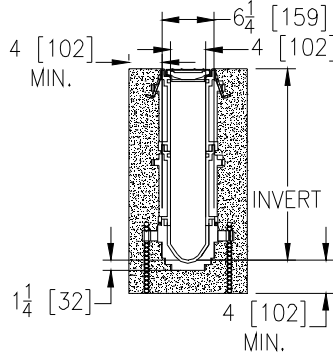
6 [159] WIDE REVEAL TRENCH DRAIN SYSTEM W/ HEAVY-DUTY STAINLESS STEEL FRAME ASSEMBLY W/ LIGHT-DUTY GRATES AND TWO 9 [229] SIDEWALL EXTENSIONS

SPECIFICATION SHEET

TAG _____

Dimensional Data (inches and [mm]) are Subject to Manufacturing Tolerances and Change Without Notice

SPECIFYING ENGINEER IS RESPONSIBLE FOR CONCRETE ENCASEMENT AND REINFORCING BASED UPON APPLICATION AND LOCAL CODES



NOTE: + Actual Channel length is 81 1/4 [2064] to allow for overlap.

ENGINEERING SPECIFICATION: Zurn Z886-HDS-LD-SW2 Channels shall be 80 [2032] long, 6 [159] wide reveal and have a 4 [102] throat. Modular channel sections shall be made of 0% water absorbent High Density Polyethylene (HDPE). Shall have a positive mechanical connection between channel sections that will not separate during the installation and shall mechanically lock into the concrete surround every 10 [254]. Channels shall weigh less than 2.31 lbs.[1.05kg] per linear foot, have a smooth, 1.5 [38] radiused self cleaning bottom with a Manning's coefficient of 0.009 and 0.75% or neutral 0% built in slope. Channels shall have rebar clips standard to secure trench in its final location. Channels shall have HDPE SW2 Side Walls attached for an additional 18 [457] added to the standard channel invert for additional flow capability shown in chart below. Shall be provided with standard RFS grates that lock down to frame. Zurn 6 [152] wide reveal Reinforced Stainless Steel Grate conforming to ASTM specification A351, Grade CF8 (type 304), fabricated grate is rated class B per the DIN EN1433 top load classification. Supplied in 40 [1016] nominal lengths with 0.375 [10] wide slots, and 0.75 [19] bearing depth. Grate has an open area of 13.68 sq. in per ft. [28,956 sq. mm per meter]. The 0.105 [2.66] thick Heavy-Duty Stainless Steel Frame Assembly conforms to ASTM specification A-240 (type 304). with 10 - 4 [102] long concrete anchors per 80 [2032]. Grate lockdown bars are to be integral to the frame. All welds must be performed by a certified welder per ASTM standard AWS D1.6. Frames Shall be produced in the U.S.A. The System loading is based upon the grate being used.

PREFIX OPTIONS (Check/specify appropriate options)

___ Z Six-foot, Eight-inch High Density Polyethylene (HDPE)*

SUFFIX OPTIONS (Check/specify appropriate options)

Outlet Adapters Add/Each

- ___ -E1 Closed End Cap
- ___ -E2 2 [51] No-Hub End Outlet
- ___ -E3 3 [76] No-Hub End Outlet
- ___ -E4 4 [102] No-Hub End Outlet
- ___ -E6 6 [152] No-Hub End Outlet
- ___ -U2 2 [51] No-Hub Bottom Outlet
- ___ -U3 3 [76] No-Hub Bottom Outlet
- ___ -U4 4 [102] No-Hub Bottom Outlet
- ___ -U6 6 [152] No-Hub Bottom Outlet

Grate Options (Load Classifications are per DIN EN1433)

- ___ -GG Fiberglass Grate - Class A
- ___ -HPP Heel-Proof Polyethylene Grate - Class A
- ___ -RFS Reinforced Stainless Steel Slotted Grate - Class B*
- ___ -RPS Reinforced Stainless Steel Perforated Grate - Class B

Miscellaneous Options

- ___ -VP Vandal-Proof Lockdown
- ___ -JC Joint Connector

MADE in the U.S.A. (Load Classifications are per DIN EN1433)

- ___ -FS Fabricated Stainless Steel Slotted Grate - Class A
- ___ -GG Fiberglass Grate - Class A
- ___ -PG Perforated Galvanized Steel Grate - Class A
- ___ -SBG-L Stainless Steel Bar Grate - Class B

Miscellaneous Options

- ___ -DB Bottom Dome Strainer

Decorative MADE in the U.S.A. (Load Classifications are per DIN EN1433)

- ___ -BZ Bronze Decorative Grate - Class A
- ___ -NBZ Nickel Bronze Decorative Grate - Class A
- ___ -PSR Perforated Stainless Steel Raised Grate - Class A
- ___ -SWG Stainless Steel Wire Grate - Class A

Trench No.	'A' Shallow Inv.	'B' Deep Inv.	Flow		
			(cfs)	(gpm)	(lps)
8601SW2	21.50 [546]	22.10 [561]	2.33	1045	66
8602SW2	22.10 [561]	22.70 [577]	2.40	1078	68
8603SW2	22.70 [577]	23.30 [592]	2.47	1110	70
8603NSW2	23.30 [592]	23.30 [592]	-	-	-
8604SW2	23.30 [592]	23.90 [607]	2.55	1142	72
8605SW2	23.90 [607]	24.50 [622]	2.62	1175	74
8606SW2	24.50 [622]	25.10 [638]	2.69	1207	76
8606NSW2	25.10 [638]	25.10 [638]	-	-	-
8607SW2	25.10 [638]	25.70 [653]	2.76	1239	78
8608SW2	25.70 [653]	26.30 [668]	2.83	1272	80
8609SW2	26.30 [668]	26.90 [683]	2.91	1304	82
8610SW2	26.90 [683]	27.50 [699]	2.98	1336	84
8611SW2	27.50 [699]	28.10 [714]	3.05	1369	86
8612SW2	28.10 [714]	28.70 [729]	3.12	1401	88
8612NSW2	28.70 [729]	28.70 [729]	-	-	-
8613SW2	28.70 [729]	29.30 [744]	3.19	1433	90
8614SW2	29.30 [744]	29.90 [759]	3.27	1466	92
8615SW2	29.90 [759]	30.5 [775]	3.34	1498	94

Decorative Grate Options (Load Classifications are per DIN EN1433)

- ___ -BCD Bronze Circular Decorative Grate - Class A
- ___ -BDD Bronze Diagonal Decorative Grate - Class A
- ___ -DCD Ductile Iron Circular Decorative Grate - Class C
- ___ -DDD Ductile Iron Diagonal Decorative Grate - Class A
- ___ -DOG Ductile Iron Decorative Grate - Class A
- ___ -DWV Ductile Wave Decorative Grate - Class A
- ___ -HPB Heel-Proof Bronze Slotted Grate - Class A
- ___ -HPS Heel-Proof Stainless Steel Slotted Grate - Class A
- ___ -SCD Stainless Steel Circular Decorative Grate - Class B
- ___ -SDD Stainless Steel Diagonal Decorative Grate - Class B
- ___ -SMG Stainless Steel Mesh Grate - Class A
- ___ -SOG Stainless Steel Decorative Grate - Class B

*REGULARLY FURNISHED UNLESS OTHERWISE SPECIFIED

REV.	DATE: 1/10/11	C.N. NO. 111581
DWG. NO. 302031 PRODUCT NO. Z886-HDS-LD-SW2		