



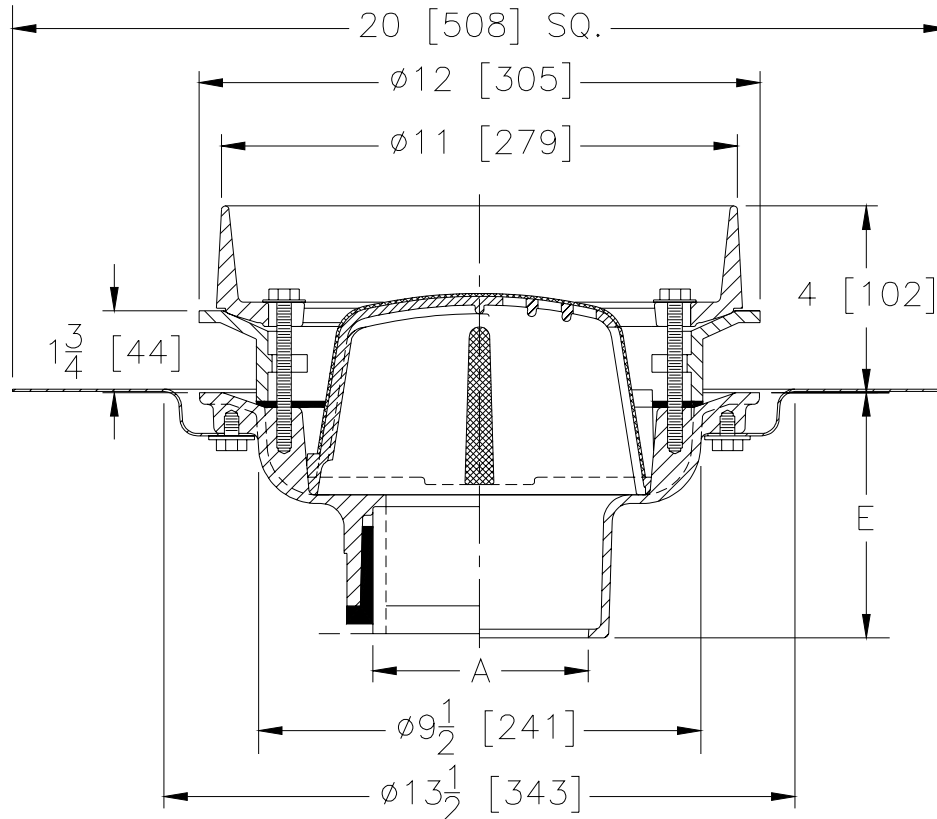
# Z122-75

12 [305] DIAMETER DECK RECEPTOR DRAIN  
W/ TOP-SET® DECK PLATE, STATIC EXTENSION,  
& STAINLESS MESH SCREEN OVER DOME

SPECIFICATION SHEET

TAG \_\_\_\_\_

Dimensional Data (inches and [ mm ]) are Subject to Manufacturing Tolerances and Change Without Notice



A- Pipe Size In.	Approx. Wt. Lbs. [kg]
2-3-4-6 [51-76-102-152]	38 [17]

**ENGINEERING SPECIFICATION: ZURN Z122-75**

12 [305] Diameter deck receptor drain, Dura-Coated cast iron body with combination membrane flashing clamp/deck receptor frame, static extension, top-set® deck plate and internal dome strainer with stainless mesh screen over dome.

**OPTIONS** (Check/specify appropriate options)

**PIPE SIZE**

- 2, 3, 4, 6 [51, 76, 102, 152]
- 2, 3, 4, 6 [51, 76, 102, 152]
- 2, 3, 4, 6 [51, 76, 102, 152]
- 2, 3, 4 [51, 76, 102]

(Specify size/type) **OUTLET**

- \_\_\_\_\_ IC Inside Caulk
- \_\_\_\_\_ IP Threaded
- \_\_\_\_\_ NH No-Hub
- \_\_\_\_\_ NL Neo-Loc

**E BODY HT. DIM.**

- 5 1/4 [133]
- 3 3/4 [95]
- 5 1/4 [133]
- 4 5/8 [117]

**PREFIXES**

- \_\_\_ Z D.C.C.I. Body with Collar\*

**SUFFIXES**

- \_\_\_ -AR Acid Resistant Epoxy Coated
- \_\_\_ -G Galvanized Cast Iron
- \_\_\_ -HD High Dome
- \_\_\_ -TC Neo-Loc Test Cap Gasket (2 - 4 [51 - 102] NL Bottom Outlet Only)
- \_\_\_ -90 90° Threaded Side Outlet Body (2 [51] thru 4 [102])

REV.	DATE: 11/10/05	C.N. NO. 94198
DWG. NO. P-15225 PRODUCT NO. Z122-75		

\*REGULARLY FURNISHED UNLESS OTHERWISE SPECIFIED