



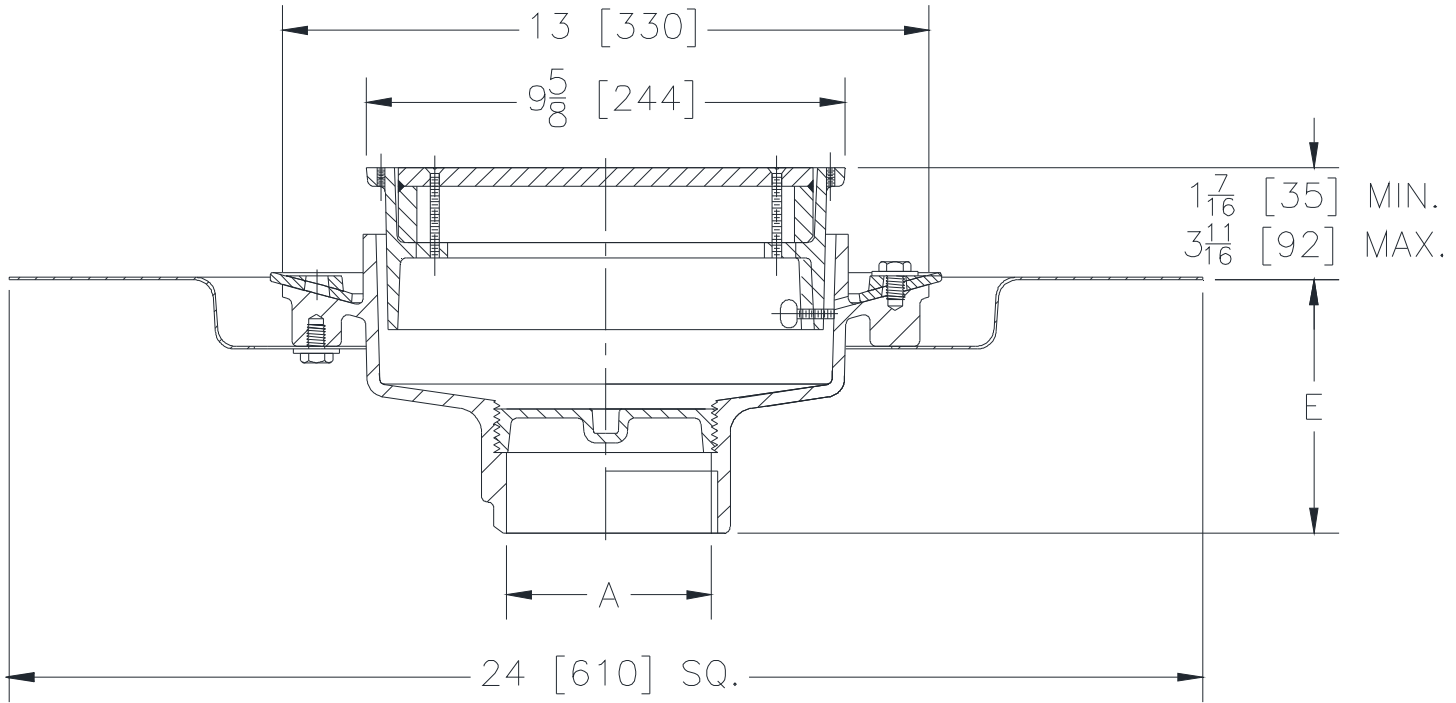
Z1732-97

ADJUSTABLE FLOOR DRAIN WITH SOLID SECURED COVER, TYPE 304 STAINLESS STEEL CLOSURE PLUG, TOP SET® DECK PLATE, & CLAMP COLLAR

SPECIFICATION SHEET

TAG _____

Dimensional Data (inches and [mm]) are Subject to Manufacturing Tolerances and Change Without Notice



A Pipe Size In [mm]	Approx. Wt Lbs. [kg]
2 [51]	40 [18]
3 [76]	
4 [102]	
6 [152]	

ENGINEERING SPECIFICATION: ZURN Z1732-97

All Type 304 (CF8) stainless steel adjustable floor drain with integral anchor flange and seepage holes, adjustable top frame for deep flange solid cover, Type 304 SS closure plug, Stainless Steel Top-Set® Deck Plate and Clamp Collar.

OPTIONS (Check/specify appropriate options)

PIPE SIZE

2 ,3 ,4 [51 ,76 ,102]
 2 ,3 ,4 [51 ,76 ,102]
 6 [152]

(Specify size/type) **OUTLET**

_____ NH No-Hub
 _____ IP Threaded
 _____ IP Threaded

'E' BODY HT. DIM.

5 [127]
 5 [127]
 5-3/8 [137]

PREFIXES

_____ Z Type 304 (CF8) Stainless Steel Body*
 _____ ZM Type 316 (CF8M) Stainless Steel Body

SUFFIXES

_____ -VP Vandal Proof Secured Top
 _____ -Y Sediment Bucket

* Regularly furnished unless otherwise specified.