



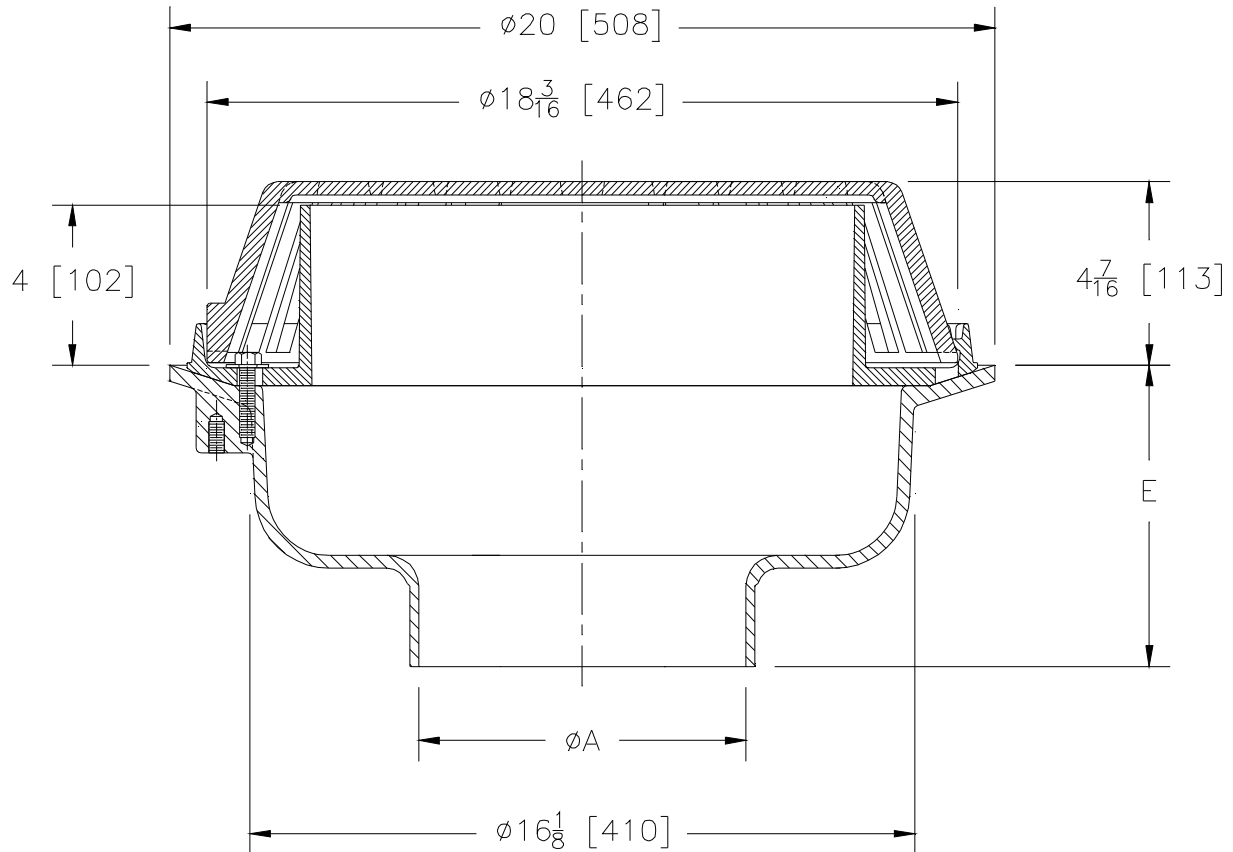
Z101-W4

20 [508] DIAMETER MAIN ROOF DRAIN WITH 4 [102] INTERNAL WATER DAM

SPECIFICATION SHEET

TAG _____

Dimensional Data (inches and [mm]) are Subject to Manufacturing Tolerances and Change Without Notice



A- Pipe Size In. [mm]	Approx. Wt. Lbs. [kg]	Dome Open Area Sq. In. [cm ²]
8 [203]	87 [39]	216 [1394]
10 [254]	88 [40]	
12 [305]	89 [40]	

ENGINEERING SPECIFICATION: ZURN Z101-W4
20" [508mm] Diameter roof drain. Dura-Coated cast iron body with combination membrane flashing clamp/gravel guard, 4" [102mm] high internal water dam and low silhouette dome.

OPTIONS (Check/specify appropriate options)

PIPE SIZE (Specify size/type) **OUTLET** **E BODY HT. DIM.**
8, 10, 12 [203, 254, 305] _____ NH No-Hub 7-5/16 [185]

PREFIXES

_____ Z D.C.C.I. Body with Cast Iron Dome*

SUFFIXES

- _____ -AR Acid Resistant Epoxy Coated
- _____ -C Underdeck Clamp
- _____ -DP Top-Set® Deck Plate (Replaces both the -C and -R)
- _____ -E Static Extension 1 [25] thru 4 [102] (Specify Height)
- _____ -EB Top-Set® Adjustable Extension Assembly
- _____ -G Galvanized Cast Iron
- _____ -R Roof Sump Receiver

* Regularly furnished unless otherwise specified.