



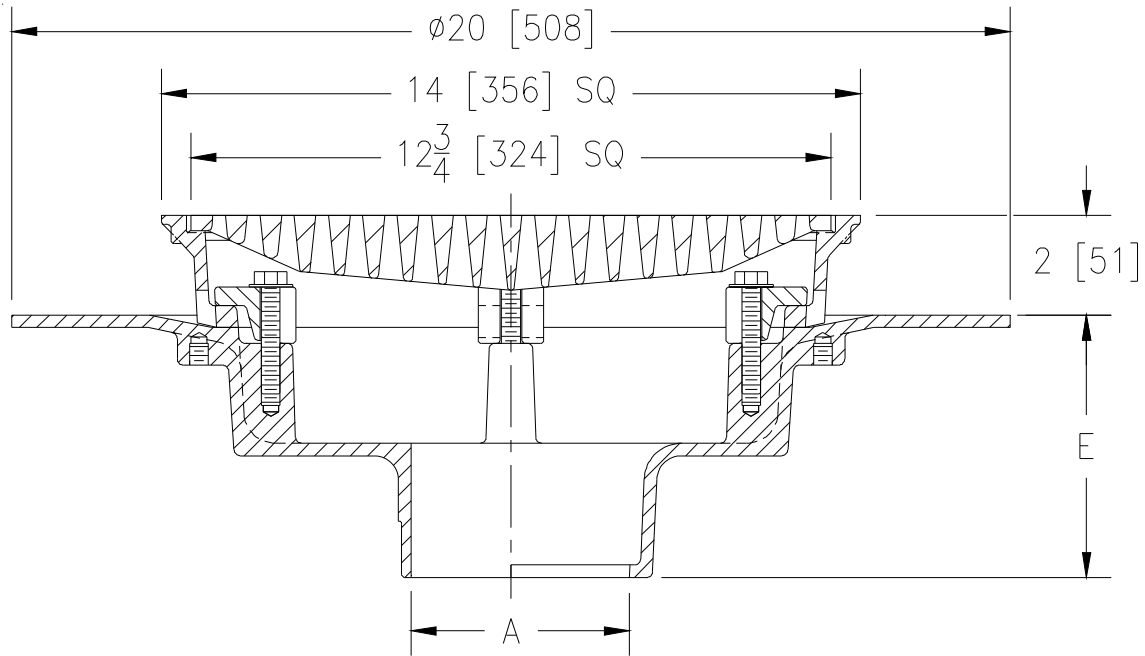
Z150-107

14 [356] SQ. TOP PROM-DECK DRAIN W/ HEEL-PROOF GRATE & Ø20 [508] WIDE FLANGE BODY

SPECIFICATION SHEET

TAG _____

Dimensional Data (inches and [mm]) are Subject to Manufacturing Tolerances and Changes Without Notice



A- Pipe Size In.	Approx. Wt. Lbs. [kg]	Grate Open Area Sq. In. [cm ²]
3-4 [76-102]	53 [24]	44 [284]
6-8 [152-203]		

ENGINEERING SPECIFICATION: ZURN Z150-107
 14 [356] Square Top Prom-Deck drain. Dura-Coated cast iron 20[508] Diameter wide flange body with promenade frame and heavy-duty heel proof grate, with combination membrane flashing clamp/gravel guard.

OPTIONS (Check/specify appropriate options)

PIPE SIZE

3,4,6 [76,102,152]
 3,4,6,8 [76,102,152,203]

(Specify size/type) **OUTLET**

_____ IC Inside Caulk
 _____ NH No-Hub

E BODY HT. DIM.

5-1/4 [133]
 5-1/4 [133]

PREFIXES

- _____ Z D.C.C.I. Body w/ Grate*
- _____ ZB D.C.C.I. Body w/ Polished Bronze Grate (Add 3/16 [5] to 2 [51] Dim & 3/8 [10] to 14 [356] Dim.)
- _____ ZN D.C.C.I. Body w/ Polished Nickel Bronze Grate (Add 3/16 [5] to 2 [51] Dim. & 3/8 [10] to 14 [356] Dim.)

SUFFIXES

- _____ -AC Angular Underdeck Clamp
- _____ -AR Acid Resistant Epoxy Coated Finish
- _____ -C Underdeck Clamp
- _____ -DG Duresist Grate
- _____ -DX Dex-o-tex Flange
- _____ -E Static Extension 1 [25] thru 4 [102] (Specify Ht.)
- _____ -EA Adjustable Extension Assembly 1-3/4 [44] thru 3-1/2 [89]
- _____ -G Galvanized Cast Iron
- _____ -R Roof Sump Receiver
- _____ -S Secondary Strainer
- _____ -SC Secondary Clamping Collar
- _____ -TS Secured Top With Slotted Screws
- _____ -VP Vandal Proof Secured Top
- _____ -XJ Vertical Expansion Joint (See Z190)
- _____ -Y Sediment Bucket
- _____ -85 Stainless Steel Perforated Extension
- _____ -90 90° Threaded Side Outlet Body

REV. A	DATE: 04/18/12	C.N. NO. 124161
DWG. NO. P-14452	PRODUCT NO. Z150-107	

*REGULARLY FURNISHED UNLESS OTHERWISE SPECIFIED