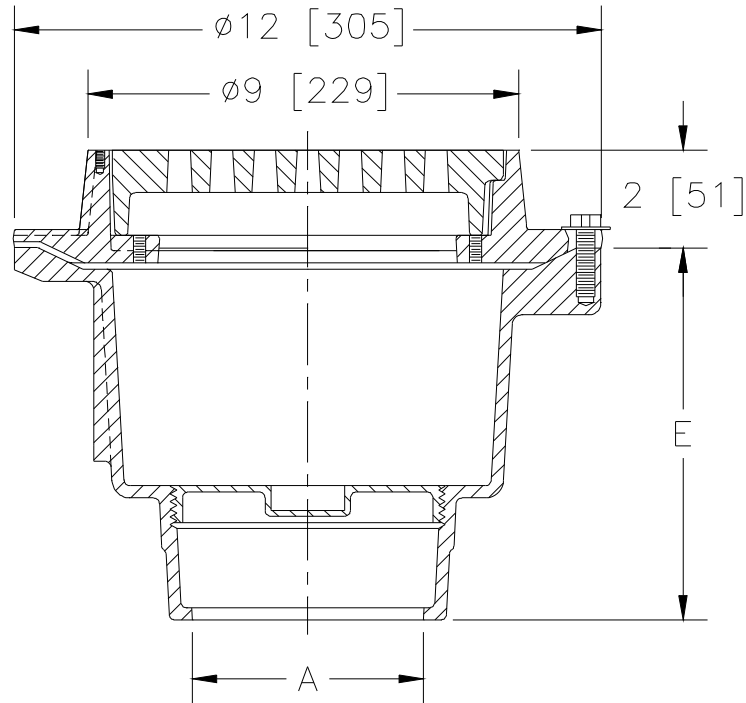




# Z511-W

## 9 [229] HEAVY-DUTY DRAIN W/ WINTER CLOSURE PLUG

Dimensional Data (inches and [ mm ]) are Subject to Manufacturing Tolerances and Change Without Notice



A Pipe Size In. [mm]	Approx. Wt. Lbs. [kg]	Grate Open Area Sq. In. [cm <sup>2</sup> ]
3,4 [76,102]	49 [22]	18 [116]

### ENGINEERING SPECIFICATION: ZURN Z511-W

9" [229mm] Diameter top drain, Dura-Coated cast iron deep sump body with bottom outlet, seepage pan and combination membrane flashing clamp and frame for heavy-duty cast iron deep flange grate with winter closure plug.

### OPTIONS (Check/specify appropriate options)

#### PIPE SIZE

- 3,4 [76,102]
- 3 [76]
- 3,4 [76,102]

#### (Specify size/type) OUTLET

- \_\_\_ IC Inside Caulk
- \_\_\_ IG Inside Gasket
- \_\_\_ IP Threaded

#### 'E' BODY HT. DIM.

- 7-5/8 [194]
- 7-5/8 [194]
- 7-5/8 [194]

#### PREFIXES

- \_\_\_ Z D.C.C.I. Body and Top\*
- \_\_\_ ZB D.C.C.I. Body w/ Polished Bronze Top (Add 3/16 [5] to 2 [51] and 3/4 [19] to 9 [229] dim.)
- \_\_\_ ZN D.C.C.I. Body w/ Polished Nickel Bronze Top (Add 3/16 [5] to 2 [51] and 3/4 [19] to 9 [229] dim.)

#### SUFFIXES

- \_\_\_ -AR Acid Resisting Epoxy Coated Cast Iron
- \_\_\_ -DG Duresist Grate
- \_\_\_ -F Extension Frame (Specify Total Height Req'd.)
- \_\_\_ -G Galvanized Cast Iron
- \_\_\_ -HP Heel-Proof Grate
- \_\_\_ -J Auxiliary Inlet Connection  
(Specify 1-1/2 [38] or 2 [51] IP, Number & Location)
- \_\_\_ -P Trap Primer Connection
- \_\_\_ -SC Solid Cover w/ Lift Handle
- \_\_\_ -SG Solid Gasketed Cover
- \_\_\_ -TS Top Secured with Slotted Screws
- \_\_\_ -VP Vandal-Proof Secured Top
- \_\_\_ -Y Sediment Bucket

\* Regularly furnished unless otherwise specified.