



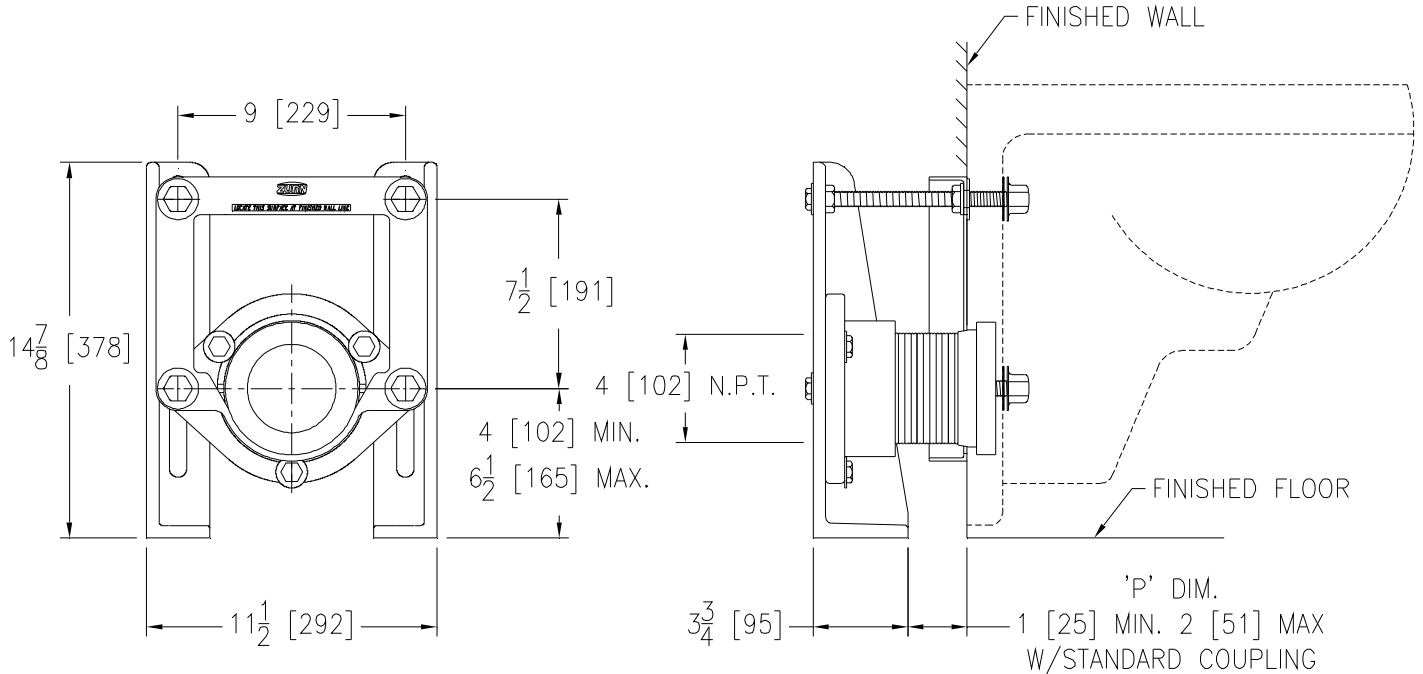
Z1212-45

WALL CLOSET SUPPORT SYSTEM W/FINISHING FRAME FOR SIPHON JET SYSTEM

SPECIFICATION SHEET

TAG _____

Dimensional Data (inches and [mm]) are Subject to Manufacturing Tolerances and Change Without Notice



Product No.	Approx. Wt. Lbs. [kg]
Z1212-45	30 [14]

ENGINEERING SPECIFICATION: ZURN Z1212-45

Dura-Coated cast iron wall closet support system complete with adjustable face plate rigidly mounted on reversible foot supports, ABS coupling with integral test cap, fixture bolts, trim, stud protectors and bonded "Neo-Seal" gasket along with finishing frame for siphon jet system.

OPTIONS (Check/specify appropriate options)

PREFIXES

___ Z D.C.C.I. System with Zurn "ZZ" Coupling Connection*

SUFFIXES

- ___ -B Adapter for Blowout Type Fixture Support
- ___ -CL Coupling Length Other than Standard 6 [152] (Specify Length Required)
- ___ -VP Vandal-Proof Finish Trim
- ___ -X4 4 [102] Inch High Foot Extension Assembly (See Z1200-FT-EXT-4)

* Regularly furnished unless otherwise specified.