



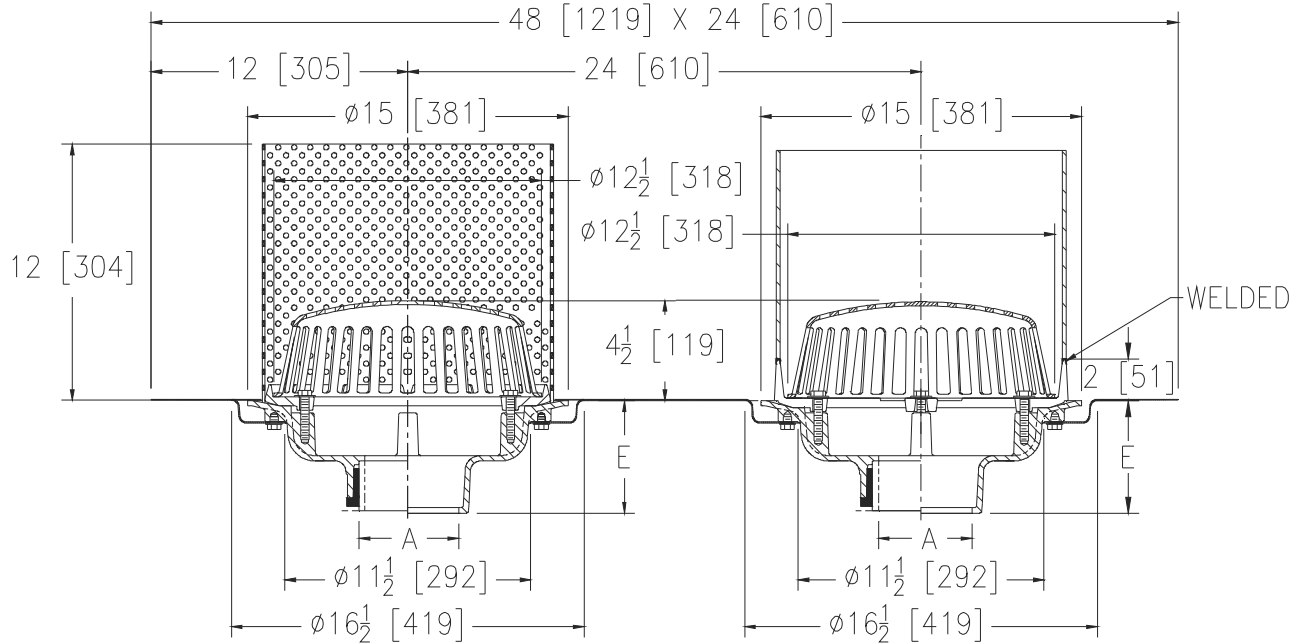
Z163-96

Ø15 [381] COMBINATION MAIN ROOF & OVERFLOW DRAIN W/
 LOW SILHOUETTE DOMES, DOUBLE TOP-SET® DECK
 PLATE, STAINLESS STEEL PERFORATED GRAVEL GUARD &
 12 [305] EXTERNAL WATER DAM

SPECIFICATION SHEET

TAG _____

Dimensional Data (inches and [mm]) are Subject to Manufacturing Tolerances and Change Without Notice



A - Pipe Size In. [mm]	Approx. Wt. Lbs. [kg]	Dome Open Area Sq. In. [cm ²]
2,3,4 [51,76,102]	73 [33]	103 [665]
5,6 [127,152]	74 [34]	
8 [203]	75 [34]	

ENGINEERING SPECIFICATION: ZURN Z163-96

15" [381mm] Diameter primary roof drain with overflow drain with 12" [305mm] external water dam, Dura-Coated cast iron bodies with combination membrane flashing clamp/gravel guards, double Top-Set® deck plate, stainless steel perforated gravel guard and low silhouette Poly-Domes. Complete with 12" [305mm] high external water dam.

OPTIONS (Check/specify appropriate options)

PIPE SIZE

- 2,3,4,5,6,8 [51,76,102,127,152,203]
- 2,3,4,5,6,8 [51,76,102,127,152,203]
- 2,3,4,5,6,8 [51,76,102,127,152,203]
- 2,3,4 [51,76,102]

(Specify size/type) **OUTLET**

- _____ IC Inside Caulk
- _____ IP Threaded
- _____ NH No-Hub
- _____ NL Neo-Loc

E BODY HT. DIM.

- 5-1/4 [133]
- 3-3/4 [95]
- 5-1/4 [133]
- 4-5/8 [117]

PREFIXES

- _____ Z D.C.C.I. Body with Poly-Dome*
- _____ ZA D.C.C.I. Body with Aluminum Dome
- _____ ZC D.C.C.I. Body with Cast Iron Dome
- _____ ZRB D.C.C.I. Body with Plain Bronze Dome

SUFFIXES

- _____ -AR Acid Resistant Epoxy Coated Finish
- _____ -BS Bronze Mesh Screen Over Dome
- _____ -DE Deck Extension
- _____ -DR Top-Set® Drain Riser
- _____ -E Static Extension 1 thru 4 [25 thru 102] (Specify Ht.)
- _____ -EA Adjustable Extension Assembly
2-1/8 thru 3-1/2 [54 thru 89]
- _____ -G Galvanized Cast Iron
- _____ -GD Galvanized Cast Iron Dome
- _____ -HD 6-3/4 [171] High Aluminum Dome Strainer
(148 in² [955 cm²] Open Area)(ZA Only)
- _____ -SC Secondary Clamping Collar
- _____ -SS Stainless Steel Mesh Screen Over Dome
- _____ -TC Neo-Loc Test Cap Gasket
(2,4 [51,102] NL Bottom Outlet Only)
- _____ -VP Vandal Proof Secured Top
- _____ -XJ Vertical Expansion Joint (See Z190)
- _____ -85 Stainless Steel Perforated Extension

* Regularly furnished unless otherwise specified.