

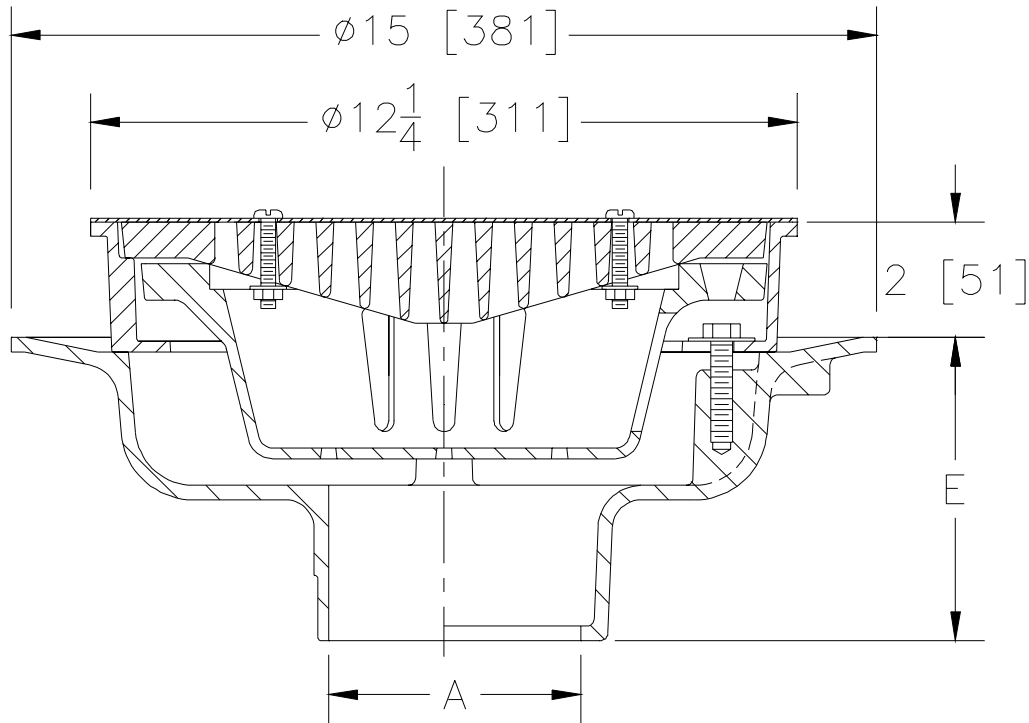


# Z541-113

## 12" [305] DIAMETER HEAVY DUTY DRAIN WITH CONSTRUCTION DEBRIS COVER

TAG \_\_\_\_\_

Dimensional Data (inches and [ mm ]) are Subject to Manufacturing Tolerances and Change Without Notice



A- Pipe Size In.	Approx. Wt. Lbs. [kg]	Grate Open Area Sq. In. [cm <sup>2</sup> ]
2-3-4-5-6 [50-75-100-125-150]	52 [24]	29 [187]
8-10 [200-250]	54 [24]	

**ENGINEERING SPECIFICATION: ZURN Z541-113**  
 12" [305] Diameter top drain. Dura-Coated cast iron body with bottom outlet, seepage pan and combination membrane flashing clamp and frame for anti-tilt heavy duty slotted grate with suspended sediment bucket and #16 gage dura-coated carbon steel construction debris cover with securing screws.

**OPTIONS** (Check/specify appropriate options)

PIPE SIZE	(Specify size/type) OUTLET	'E' BODY HT. DIM.
2 thru 6, 8, 10 [50 thru 150, 200, 250]	___ IC Inside Caulk	5 1/4 [133]
2 thru 6, 8, 10 [50 thru 150, 200, 250]	___ IG Inside Caulk w/Sealtrol Gskt.	5 1/4 [133]
2 thru 6, 8, 10 [50 thru 150, 200, 250]	___ IP Threaded	3 3/4 [95]
2 thru 6, 8, 10 [50 thru 150, 200, 250]	___ NH No-Hub	5 1/4 [133]
2 thru 4 [50 thru 100]	___ NL Neo-Loc	4 5/8 [117]

**PREFIXES**

\_\_\_ Z D.C.C.I. Body and Grate\*

REV.	DATE: 9/24/02	C.N. NO. 89937
DWG. NO. P-14927 PRODUCT NO. Z541-113		

\*REGULARLY FURNISHED UNLESS OTHERWISE SPECIFIED