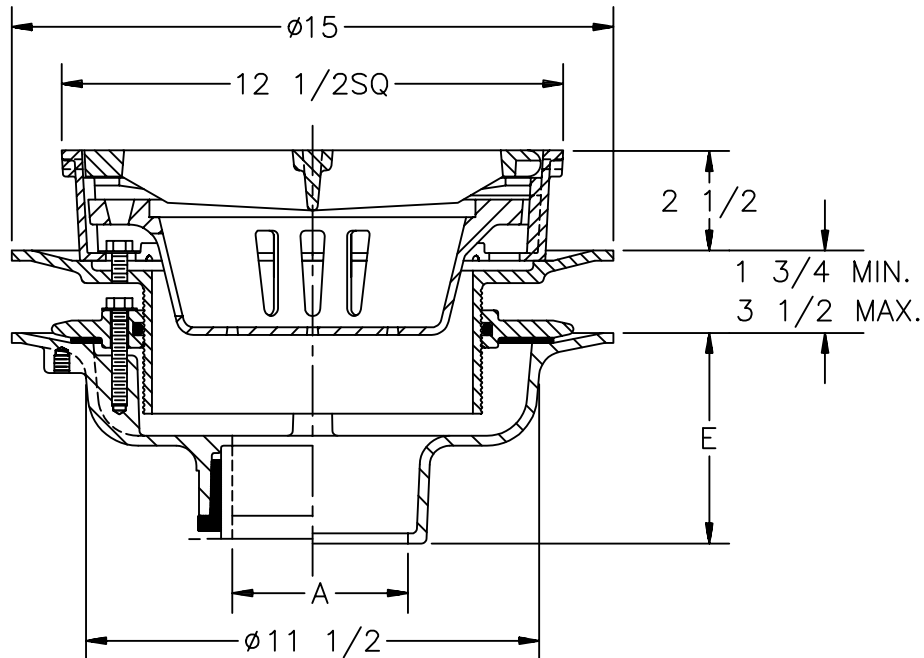




Z-610-85 12" HEAVY DUTY DRAIN

TAG _____

Dimensional Data (inches and [mm]) are Subject to Manufacturing Tolerances and Change Without Notice



A- Pipe Size In.	Approx. Wt. Lbs.	Grate Open Area Sq. In.
2-3-4-5-6	85	40
8-10	83	

ENGINEERING SPECIFICATION: ZURN Z-610-85 12" Square top drain, Dura-Coated cast iron body with bottom outlet, adjustable extension seepage pan and combination membrane flashing clamp and frame for heavy duty cast iron loose slotted grate, with suspended sediment bucket.

OPTIONS (Check/specify appropriate options)

OUTLET (Specify type)

- _____ **IC** Inside Caulk
- _____ **IG** Inside Caulk w/Sealtrol Gskt.
- _____ **IP** Threaded
- _____ **NH** No-Hub
- _____ **NL** Neo-Loc
- _____ **NL** Neo-Loc

PIPE SIZE (Specify size)

- _____ 2" thru 6", 8", 10"
- _____ 2", 3", 4", 6"
- _____ 2" thru 6", 8", 10"
- _____ 2" thru 6", 8", 10"
- _____ 2" thru 4"
- _____ 5", 6"

'E' BODY HT. DIMENSION

- _____ 5-1/4"
- _____ 5-1/4"
- _____ 3-3/4"
- _____ 5-1/4"
- _____ 4-5/8"
- _____ 5-1/2"

PREFIXES

- _____ **Z-** D.C.C.I. Body and Grate*
- _____ **ZB-** D.C.C.I. Body with Polished Bronze Grate (Add 3/16" to 2-1/2" Dim. & 3/4" to 12-1/2" Dim)
- _____ **ZN-** D.C.C.I. Body with Polished Nickel Bronze Grate (Add 3/16" to 2-1/2" Dim. & 3/4" to 12-1/2" Dim.)

SUFFIXES

- _____ **-DG** Duresist Grate
- _____ **-DX** Dex-o-tex Flange (ZB & ZN only)
- _____ **-G** Galvanized Cast Iron
- _____ **-H** Hinged Grate
- _____ **-HL** Hinged Locking Grate
- _____ **-LY** (Less) Bucket
- _____ **-P** Trap Primer Connection
- _____ **-S** Secondary Strainer
- _____ **-SS** Stainless Mesh Liner for Bucket
- _____ **-V** Backwater Valve (See Z-1099)
- _____ **-VP** Vandal Proof Secured Top
- _____ **-YA** Aluminum Sediment Bucket
- _____ **-90** 90° Threaded Side Outlet Body (2" thru 6" only) (Previously Z-615)

*REGULARLY FURNISHED UNLESS OTHERWISE SPECIFIED

REV.	DATE: 12/16/93	C.N. NO. 69447
DWG. NO. P-13902 PRODUCT NO. Z-610-85		

ZURN INDUSTRIES, INC. ♦ SPECIFICATION DRAINAGE OPERATION ♦ 1801 Pittsburgh Ave. ♦ Erie, PA 16514

Phone: 814/455-0921 ♦ Fax: 814/454-7929 ♦ World Wide Web: www.zurn.com

In Canada: ZURN INDUSTRIES LIMITED ♦ 3544 Nashua Drive ♦ Mississauga, Ontario L4V1L2 ♦ Phone: 905/405-8272 Fax: 905/405-1292