



Z1800-6B-75

6 [152] DIAMETER ROUND INDUSTRIAL FLOOR DRAIN WITH 2 [51] FLANGE

SPECIFICATION SHEET

TAG _____

Dimensional Data (inches and [mm]) are Subject to Manufacturing Tolerances and Change Without Notice

Engineering Specification: ZURN Z1800-6B-75
6" [152mm] Diameter x 4-19/32" [117mm] deep, 18 gage, all type 316 (CF8M) stainless steel round industrial floor drain with loose set anti-tilt medium-duty perforated grate, reinforced top frame, perforated removable sediment bucket with lift handle, pre-sloped bottom sump, and pre-pour stabilizing anchor tabs.

Approx. Wt. Lbs. [kg]	Grate Open Area Sq. In. [cm ²]
5 [2]	5.8 [37]

Options (Check/specify appropriate options)

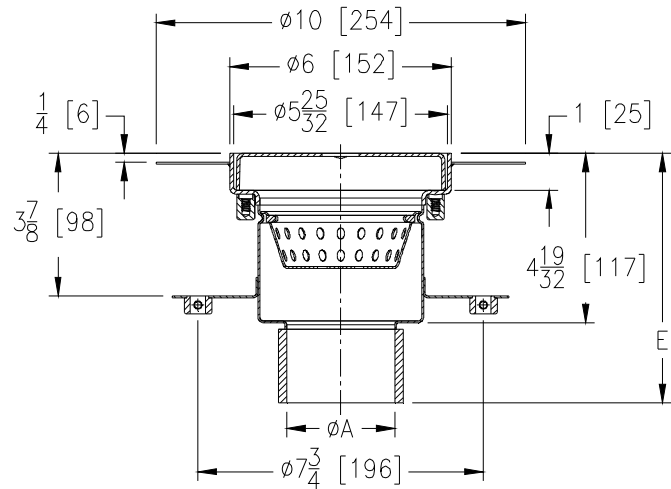
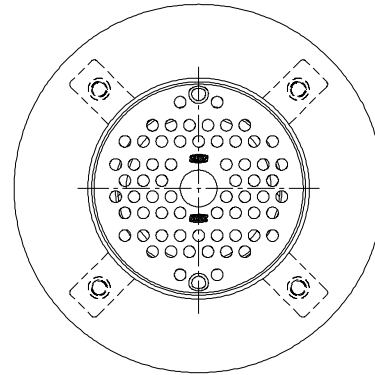
Pipe Size (ØA)	(Specify size/type) Outlet	E Body Ht. Dim.
2 [51]	___ BW Butt-Weld (Sch. 10)	6-13/16 [173]
3 [76]	___ BW Butt-Weld (Sch. 10)	6-27/32 [174]
4 [102]	___ BW Butt-Weld (Sch. 10)	6-25/32 [172]
2 [51]	___ NH No-Hub	6-13/16 [173]
3 [76]	___ NH No-Hub	6-27/32 [174]
4 [102]	___ NH No-Hub	6-25/32 [172]

Prefixes

- ___ Z Type 304 (CF8) Stainless Steel
- ___ ZM Type 316 (CF8M) Stainless Steel*

Suffixes

- ___ -KC Anchor Flange w/Seepage Holes and Clamp Collar
- ___ -P ø1/2 [13] Trap Primer Connection
- ___ -SA Stabilizer Assembly (Z1035)
- ___ -SQ Stabilizer Q-Deck (Z1035-Q)
- ___ -TS Top Secured Grate
- ___ -2PT 2 [51] Stainless Steel P-Trap
- ___ -3PT 3 [76] Stainless Steel P-Trap
- ___ -4PT 4 [102] Stainless Steel P-Trap



Dimensional data (inches and [mm]) are subject to manufacturing tolerances and change without notice.