



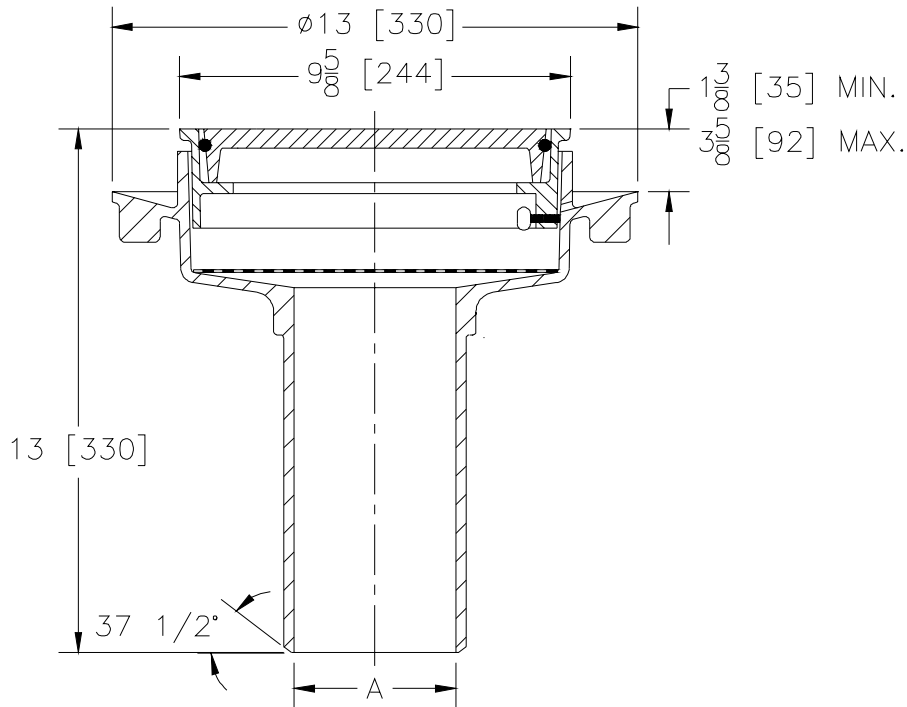
Z1732-84

ADJUSTABLE FLOOR DRAIN W/ LOOSE SET GASKETED COVER

SPECIFICATION SHEET

TAG _____

Dimensional Data (inches and [mm]) are Subject to Manufacturing Tolerances and Change Without Notice



A- Pipe Size In.	Approx. Wt. Lbs. [kg]
2-3-4-6 [50-75-100-150]	40 [18]

ENGINEERING SPECIFICATION: ZURN Z1732-84 All Type 304 (CF8) stainless steel adjustable floor drain with integral anchor flange, adjustable top frame and deep flange loose set o-ring cover with plain finish, and flat bottom strainer.

OPTIONS (Check/specify appropriate options)

PIPE SIZE

2, 3, 4 [50, 75, 100]
6 [150]

(Specify size/type) **OUTLET**

___ BW Butt-weld (Specify Schedule 10, 40 or 80)
___ BW Butt-weld (Specify Schedule 10, 40 or 80)

PREFIXES

___ Z Type 304 (CF8) Stainless Steel Body*
___ ZC Type A-27 Carbon Steel Body (P.O.A.)
___ ZM Type 316 (CF8M) Stainless Steel Body

SUFFIXES

<p>___ -E Extension ___ -K Seepage Holes Only ___ -KC Clamp Collar with Seepage Holes ___ -LH Lift Handle ___ -SC Solid Secured Cover ___ -SF Satin Finish Top ___ -VP Vandal Proof Secured Top</p>	<p>___ -Y Sediment Bucket ___ -30 Bronze Closure Plug ___ -31 Plastic Closure Plug ___ -33 Type 304 Stainless Steel Closure Plug ___ -34 Bronze Closure Plug with 3/4 [19] Test Plug</p>
---	--

REV.	DATE: 2/25/03	C.N. NO. 90283
DWG. NO. P-14969 PRODUCT NO. Z1732-84		

*REGULARLY FURNISHED UNLESS OTHERWISE SPECIFIED