



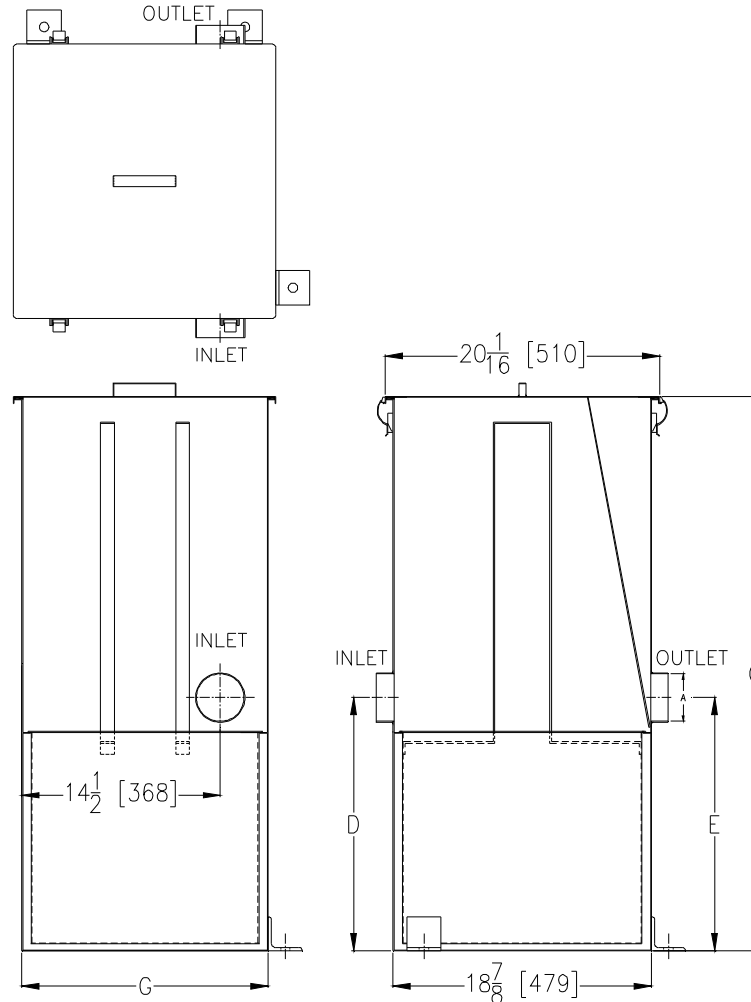
# Z1183-99

## CUSTOM SOLIDS INTERCEPTOR W/ EXTENSION & CUSTOM ANCHOR POINTS

SPECIFICATION SHEET

TAG \_\_\_\_\_

Dimensional Data (inches and [ mm ]) are Subject to Manufacturing Tolerances and Change Without Notice



Size	Inlet/ Outlet Size	Flow Rate G.P.M. [L]	Solids Cap. Cubic Ft. [m <sup>3</sup> ]	Dimensions In Inches			Approx. Wt. lbs [kg]
				C	G	D/E	
900	3 [76]	75 [284]	2.1 [0.059]	40-1/2 [1029]	18 [457]	18-1/2 [470]	63 [29]

### ENGINEERING SPECIFICATION: ZURN Z1183-99

Large capacity acid resistant coated fabricated steel, or stainless steel, solids interceptor with extension, for on floor or semi-recessed installation cores with screen attached to gasketed, removable, latched lid, and removable sediment basket with extension handle. (3) 304SS anchor points will be welded to the base of the interceptor body to assist mounting in off-shore application. Anchor points are not to bear weight, but only to prevent lateral movement.

### PREFIXES

- \_\_\_\_\_ Z Acid Resistant Coated Fabricated Steel\*
- \_\_\_\_\_ ZS All Type 304 Fabricated Stainless Steel

### SUFFIXES

- \_\_\_\_\_ -CS Custom Screens (Specify material and perforation size required)
- \_\_\_\_\_ -YR Replacement Stainless Steel Bucket Assembly

\* Regularly furnished unless otherwise specified.