



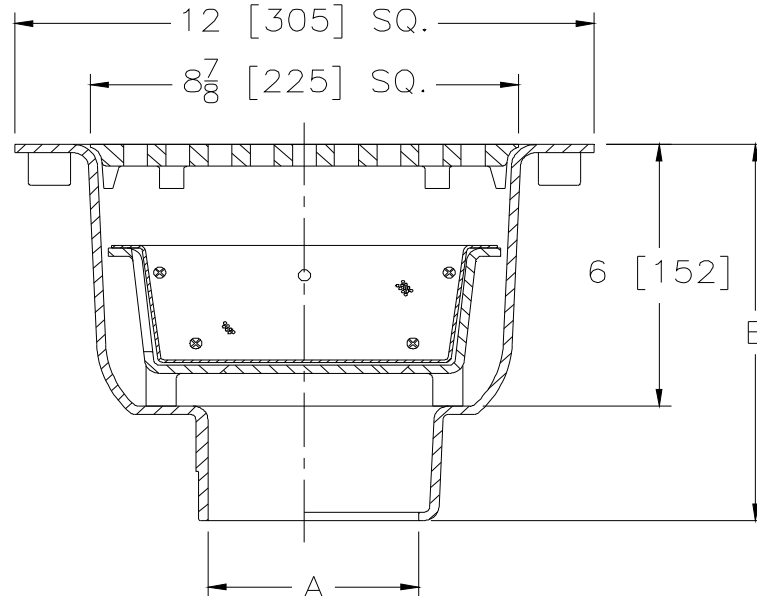
Z1900-23-31

12 x 12 [305 x 305] A.R.E. SANI-FLOR RECEPTOR 6 [152]
SUMP DEPTH W/ ALUMINUM BUCKET AND STAINLESS
STEEL MESH LINER

SPECIFICATION SHEET

TAG _____

Dimensional Data (inches and [mm]) are Subject to Manufacturing Tolerances and Change Without Notice



A Pipe Size In. [mm]	Approx Wt. Lbs. [kg]	Grate Open Area Sq. In. [cm ²]
2,3,4 [51,76,102]	27 [12]	31 [200]

ENGINEERING SPECIFICATION: ZURN Z1900-23-31

Sani-Flor Receptor 12" x 12" x 6" [305mm x 305mm x 152mm] deep cast iron body and square slotted light duty grate, with white acid resisting porcelain enamel interior and top, and black ground enamel exterior coating, complete with aluminum bucket and stainless steel mesh liner.

OPTIONS (Check/specify appropriate options)

PIPE SIZE

- 3,4 [76,102]
- 2,3,4 [51,76,102]
- 2,3,4 [51,76,102]

(Specify size/type) OUTLET

- ___ IC Inside Caulk
- ___ NH No-Hub
- ___ NL Neo-Loc

'E' BODY HT. DIMENSION

Z	ZN / ZS
8-5/8 [219]	9-1/8 [232]
8-5/8 [219]	9-1/8 [232]
8 [203]	8-1/2 [216]

PREFIXES

- ___ Z Cast Iron Body with White A.R.E. Interior*
- ___ ZN Cast Iron Body with White A.R.E. Interior, 12-1/2 [317] Square Nickel Bronze Frame and Full Grate with 1/2 [13] Openings
- ___ ZS Cast Iron Body with White A.R.E. Interior, 12-1/2 [317] Square Stainless Steel Frame and Full Grate with 1/2 [13] openings

SUFFIXES

- | | |
|---|--|
| ___ -DX Dex-O-Tex Flange (ZN Only) | ___ -1 (Less) Grate |
| ___ -HD Stainless Steel Frame w/ Extra Heavy-Duty Stainless Steel Grate (ZS Only) | ___ -2 1/2 Grate |
| ___ -HP Heel-Proof Grate (ZN Only) | ___ -3 3/4 Grate |
| ___ -K Anchor Flange with Seepage Holes | ___ -4 Full Grate w/ Center Opening (2 [51] Round for Z and 3-1/32 [77] Square for ZN or ZS) |
| ___ -KC Anchor Flange with Seepage Holes and Clamp Collar | ___ -6 Grate w/ 6 [152] Dia. x 6 [152] High Funnel |
| ___ -P 1/2 [13] Trap Primer Connection (See Z1023) | ___ -8 Grate w/ 8-7/8 x 3-5/8 x 3-3/4 [225 x 92 x 95] High Oval Funnel |
| ___ -SA Stabilizer Assembly (See Z1903) | ___ -11 Vandal-Proof Secured Top (ZN & ZS Only) |
| ___ -TC Neo-Loc Test Cap Gasket (2,3,4 [51,76,102] NL Bottom Outlet Only) | ___ -15 Solid Loose Set Cover (Z & ZN Only) |
| ___ -VPS Vandal Proof Strainer | ___ -19 Full Hinged Grate (ZN Only) |

* Regularly furnished unless otherwise specified.