



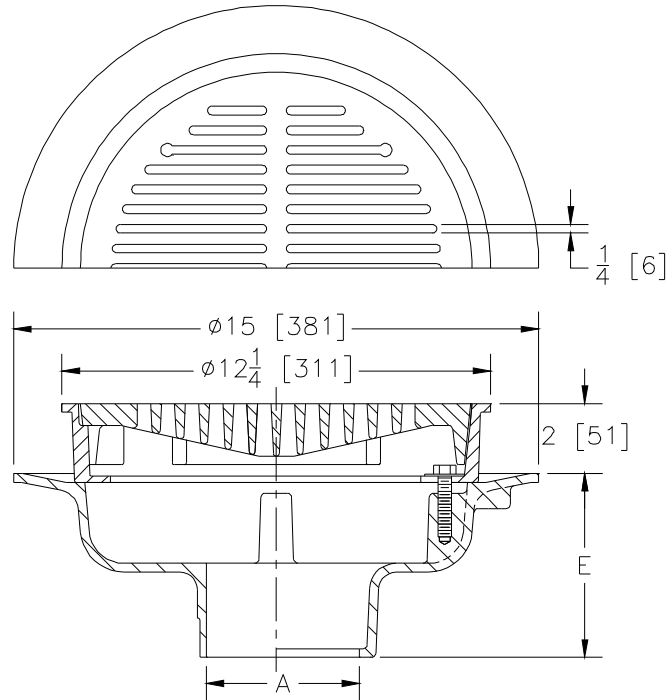
Z505-HP

12 [305] HEAVY-DUTY DRAIN
W/ HEEL-PROOF VENEER

SPECIFICATION SHEET

TAG _____

Dimensional Data (inches and [mm]) are Subject to Manufacturing Tolerances and Change Without Notice



A Pipe Size In. [mm]	Approx. Wt. Lbs. [kg]	Grate Open Area Sq. In. [cm ²]
2,3,4,5,6 [51,76,102,127,152]	38 [17]	30 [194]
8,10 [203-254]	40 [18]	

ENGINEERING SPECIFICATION: ZURN Z505-HP 12" [305mm] Diameter top drain. Dura-Coated cast iron body with bottom outlet, seepage pan and combination membrane flashing clamp and frame for heavy-duty, heel-proof deep flange slotted grate.

OPTIONS (Check/specify appropriate options)

PIPE SIZE	(Specify size/type)	OUTLET	'E' BODY HT. DIM.
2,3,4,5,6,8,10 [51,76,102,127,152,203,254]	___	IC Inside Caulk	5-1/4 [133]
2,3,4,6 [51,76,102,152]	___	IG Inside Gasket	5-1/4 [133]
2,3,4,5,6,8,10 [51,76,102,127,152,203,254]	___	IP Threaded	3-3/4 [95]
2,3,4,5,6,8,10 [51,76,102,127,152,203,254]	___	NH No-Hub	5-1/4 [133]
2,3,4 [51,76,102]	___	NL Neo-Loc	4-5/8 [117]

PREFIXES

- ___ Z D.C.C.I. Body and Top*
- ___ ZB D.C.C.I. Body with Polished Bronze Top (Add 3/16 [5] to 2 [51] Dim. and 3/4 [20] to 12-1/4 [311] Dim.)
- ___ ZN D.C.C.I. Body with Polished Nickel Bronze Top (Add 3/16 [5] to 2 [51] Dim. and 3/4 [20] to 12-1/4 [311] Dim.)

SUFFIXES

- | | |
|--|--|
| ___ -AR Acid Resisting Epoxy Coated Cast Iron | ___ -SS Stainless Mesh Liner for Bucket |
| ___ -DG Duresist Grate | ___ -TC Neo-Loc Test Cap Gasket (2,3,4 [51,76,102] NL Bottom Outlet Only) |
| ___ -F Extension Frame (Specify Total Height Req'd.) | ___ -TS Top Secured with Slotted Screws |
| ___ -G Galvanized Cast Iron | ___ -V Backwater Valve (See Z1099) |
| ___ -P Trap Primer Connection | ___ -VP Vandal-Proof Secured Top |
| ___ -S Secondary Strainer | ___ -Y Sediment Bucket |
| ___ -SA Stabilizer Assembly (See Z1036) | ___ -90 90° Threaded Side Outlet Body (2,3,4,5,6 [51,76,102,127,152] Only) |

* Regularly furnished unless otherwise specified.