



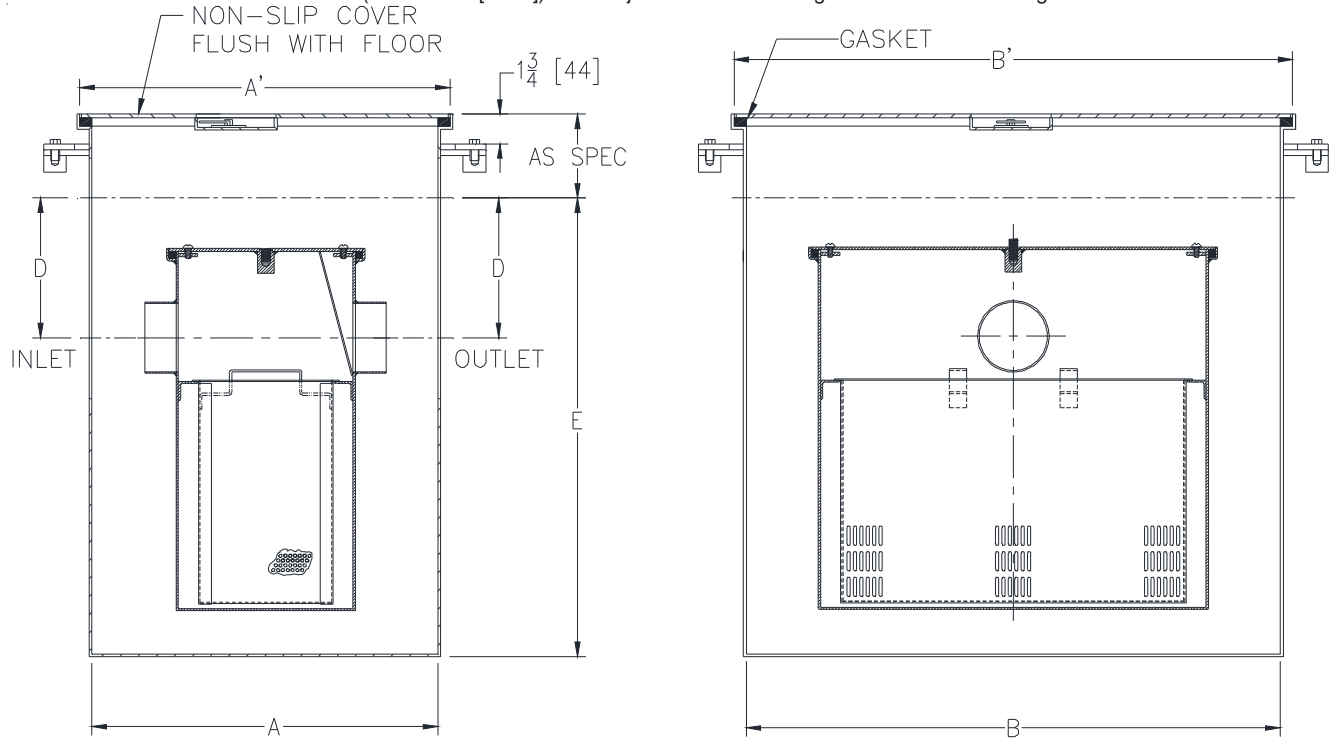
Z1183-FC-93

SOLIDS INTERCEPTOR WITH FLUSH COVER AND RECESSING RECEIVER WITH ANCHOR FLANGE, CLAMP COLLAR, AND EXTENSION

SPECIFICATION SHEET

TAG _____

Dimensional Data (inches and [mm]) are Subject to Manufacturing Tolerances and Change Without Notice



Size	Inlet/Outlet Size**	Flow Rate GPM [LPM]	Dimensions in Inches [mm]					
			A	A'	B	B'	D	E
500	3 [76]	20 [76]	21-3/8 [543]	23-3/8 [594]	22-1/8 [562]	24-1/8 [613]	6 [152]	20-3/4 [527]
600		25 [94]	21-3/8 [543]	23-3/8 [594]	24-3/4 [629]	26-3/4 [679]	6 [152]	21-7/16 [544]
700		35 [132]	21-3/8 [543]	23-3/8 [594]	27-3/8 [695]	29-3/8 [746]	8 [203]	23-3/16 [589]
800		50 [189]	21-3/8 [543]	23-3/8 [594]	27-3/8 [695]	29-3/8 [746]	8 [203]	27 [686]
900		75 [284]	21-3/8 [543]	23-3/8 [594]	27-3/8 [695]	29-3/8 [746]	8 [203]	29-1/2 [749]
1000		100 [379]	21-3/8 [543]	23-3/8 [594]	27-3/8 [695]	29-3/8 [746]	8 [203]	32 [813]

ENGINEERING SPECIFICATION: ZURN Z1183-FC-93

Large Capacity Acid Resistant Epoxy Coated Recessing Receiver, enclosed type, with integral extension, anchor flange and clamping collar. Equipped with a gasketed non-skid cover with removable lift handle. Complete with Z1183-FC Solids Interceptor. For interceptor specifications see Z1183-FC specification sheet.

PREFIXES

_____ Z Acid Resistant Coated Fabricated Steel*

SUFFIXES

_____ -T Cover recessed for tile/terrazzo. A 3 [76] minimum extension is required. (Specify required recess depth - 1/8 [3], 3/4 [19], or 1-1/4 [32])

* Regularly furnished unless otherwise specified.