



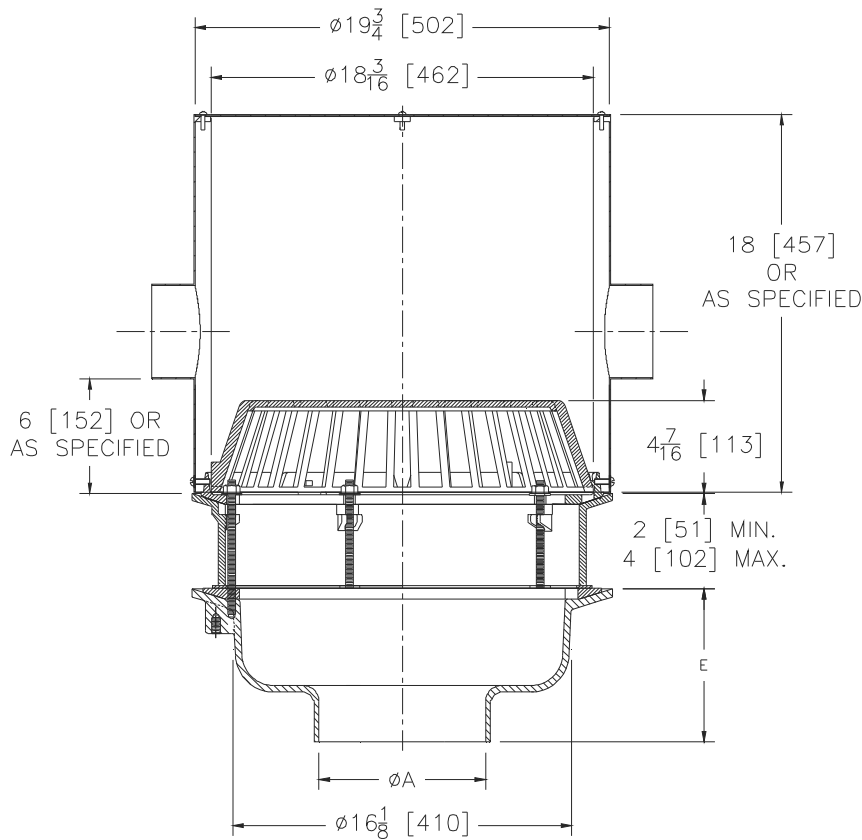
Z101-99

20 [508] DIAMETER MAIN ROOF DRAIN W/ STATIC EXTENSION,
SECONDARY CLAMP, LOW SILHOUETTE DOME W/ SOLID S.S. GRAVEL
GUARD & DUAL 4 [102] AUXILIARY INLETS AND PERFORATED TOP

SPECIFICATION SHEET

TAG _____

Dimensional Data (inches and [mm]) are Subject to Manufacturing Tolerances and Change Without Notice



A Pipe Size In. [mm]	Approx. Wt. Lbs. [kg]	Dome Open Area Sq. In. [cm ²]
8 [203]	110 [50]	216 [1394]
10 [254]	111 [50]	
12 [305]	112 [51]	

ENGINEERING SPECIFICATION: ZURN Z101-99

20" [508mm] Diameter roof drain. Dura-Coated cast iron body with combination membrane flashing clamp/gravel guard, secondary clamp collar, and low silhouette dome. Complete with static extension, type 304 (CF8) solid stainless steel gravel guard, dual 4" [102mm] auxiliary inlets, and perforated top.

PIPE SIZE

8,10,12 [203,254,305]

(Specify size/type) OUTLET

_____ NH No-Hub

E BODY HT. DIM.

7-5/16 [185]

PREFIXES

_____ Z D.C.C.I. Body with Cast Iron Dome*

SUFFIXES

_____ -G Galvanized Cast Iron

* Regularly furnished unless otherwise specified.