



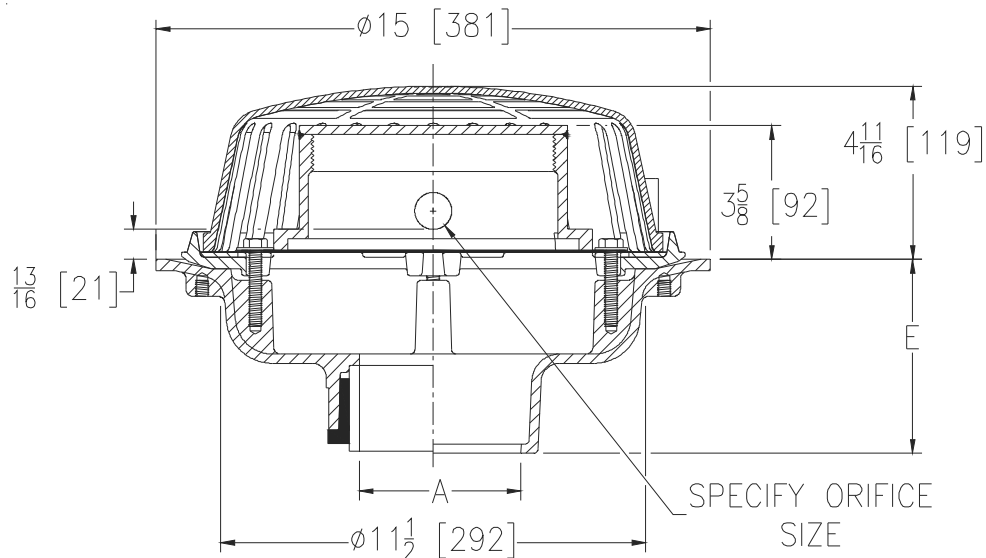
# Z100-306

15 [381] DIAMETER MAIN ROOF DRAIN  
WITH FLOW CONTROLLING WATER DAM & SOLID TOP

SPECIFICATION SHEET

TAG \_\_\_\_\_

Dimensional Data (inches and [ mm ]) are Subject to Manufacturing Tolerances and Change Without Notice



A Pipe Size In. [mm]	Approx. Wt. Lbs. [kg]
2,3,4 [51,76,102]	36 [16]
5,6 [127,152]	37 [17]
8 [203]	38 [18]

### ENGINEERING SPECIFICATION: ZURN Z100-306

15" [381 mm] Diameter roof drain. Dura-Coated cast iron body with combination membrane flashing clamp/gravel guard, gasketed flow control aluminum water dam with low silhouette Poly-dome .

### OPTIONS (Check/specify appropriate options)

#### PIPE SIZE

2,3,4,5,6,8 [51,76,102,127,152,203]  
2,3,4,5,6,8 [51,76,102,127,152,203]  
2,3,4,5,6,8 [51,76,102,127,152,203]  
2,3,4 [51,76,102]  
6 [152]

#### (Specify size/type) OUTLET

\_\_\_\_\_ IC Inside Caulk  
\_\_\_\_\_ IP Threaded  
\_\_\_\_\_ NH No-Hub  
\_\_\_\_\_ NL Neo-Loc  
\_\_\_\_\_ NL Neo-Loc

#### E BODY HT. DIM.

5-1/4 [133]  
3-3/4 [95]  
5-1/4 [133]  
4-9/16 [116]  
5-7/16 [112]

#### PREFIXES

\_\_\_\_\_ Z D.C.C.I. Body with Poly-dome\*  
\_\_\_\_\_ ZA D.C.C.I. Body with Aluminum Dome  
\_\_\_\_\_ ZC D.C.C.I. Body with Cast Iron Dome  
\_\_\_\_\_ ZRB D.C.C.I. Body with Plain Bronze Dome

#### SUFFIXES

_____ -AC Angular Underdeck Clamp	_____ -EB Top-Set® Adjustable Extension Assembly
_____ -AR Acid Resistant Epoxy Coated	_____ -G Galvanized Cast Iron
_____ -C Underdeck Clamp	_____ -R Roof Sump Receiver
_____ -DE Deck Extension	_____ -SC Secondary Clamp Collar
_____ -DP Top-Set® Deck Plate (Replaces both the -C and -R)	_____ -VP Vandal-Proof Secured Top
_____ -DR Top-Set® Drain Riser	_____ -90 90° Threaded Side Outlet Body (2,3,4,5,6 [51,76,102,127,152])
_____ -DX Dex-o-tex Flange	
_____ -E Static Extension 1 [25] thru 4 [102] (Specify Ht.)	

\* Regularly furnished unless otherwise specified.