



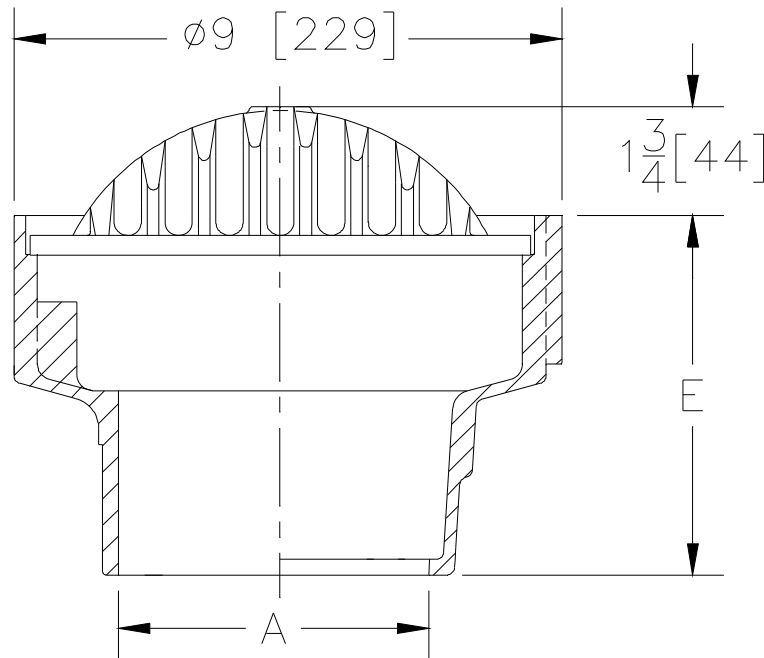
Z551-D

9 [229] DIAMETER MEDIUM DUTY DRAIN
W/ DOME GRATE

SPECIFICATION SHEET

TAG _____

Dimensional Data (inches and [mm]) are Subject to Manufacturing Tolerances and Change Without Notice



A- Pipe Size In. [mm]	Approx. Wt. Lbs. [kg]	Grate Open Area Sq. In. [cm ²]
2,3,4 [51,76,102]	22 [10]	25 [161]

ENGINEERING SPECIFICATION: ZURN Z551-D
9" [229mm] Diameter top drain, Dura-Coated cast iron body with bottom outlet, and dome grate.

OPTIONS (Check/specify appropriate options)

PIPE SIZE

- 4 [102]
- 2,3,4 [51,76,102]
- 2,3,4 [51,76,102]

(Specify size/type) **OUTLET**

- ___ IP Threaded
- ___ NH No-Hub
- ___ NL Neo-Loc

'E' BODY HT. DIM.

- 4 [102]
- 5-3/4 [146]
- 5-1/8 [130]

PREFIXES

- ___ Z D.C.C.I. Body and Grate*

SUFFIXES

- ___ -G Galvanized Cast Iron
- ___ -P Trap Primer Connection
- ___ -SS Stainless Mesh Liner for Bucket
- ___ -TC Neo-Loc Test Cap Gasket (2,3,4 [51,76,102] NL Bottom Outlet Only)
- ___ -VP Vandal Proof Secured Top
- ___ -Y Sediment Bucket

* Regularly furnished unless otherwise specified.