

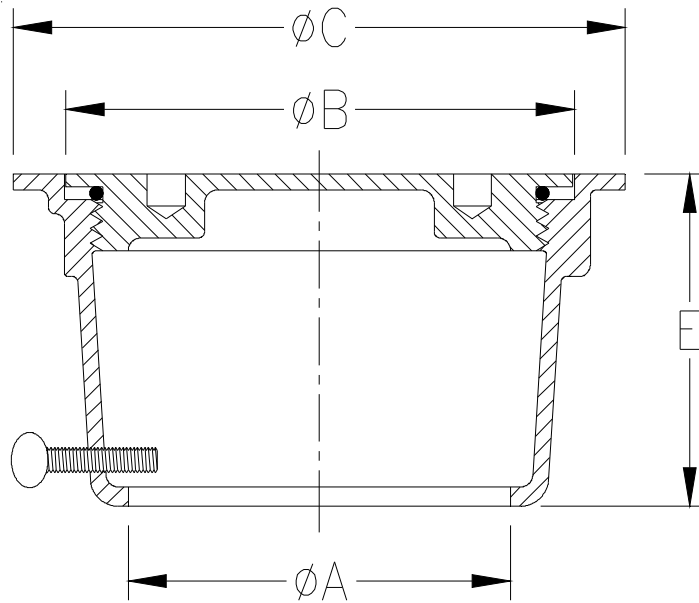


# Z1456-78 DECK CLEANOUT HOUSING

SPECIFICATION SHEET

TAG \_\_\_\_\_

Dimensional Data (inches and [ mm ]) are Subject to Manufacturing Tolerances and Change Without Notice



Dimensions In Inches			Approx. Wt. Lbs. [kg]
A Opening Size	B	C	
2 5/8 [67]	3 7/16 [87]	4 13/16 [122]	3 [1]
3 3/4 [95]	4 31/32 [126]	6 [152]	4 [2]
4 3/4 [121]	5 31/32 [152]	7 13/32 [188]	6 [3]
6 3/4 [171]	7 31/32 [202]	9 13/32 [239]	10 [5]
6 3/4 [171]	7 31/32 [202]	9 13/32 [239]	12 [5]

**ENGINEERING SPECIFICATION: ZURN ZANB1456-78**  
Deck cleanout housing, nickel bronze body, scoriated deck plug with o-ring seal and securing thumbscrews.

**OPTIONS** (Check/specify appropriate options)

**PIPE SIZE**

- 2 [51]
- 3 [76]
- 4 [51]
- 5, 6 [127, 152]

(Specify size/type) **OUTLET**

- \_\_\_\_\_ IC Inside Caulk
- \_\_\_\_\_ IC Inside Caulk
- \_\_\_\_\_ IC Inside Caulk
- \_\_\_\_\_ IC Inside Caulk

**'E' BODY HT. DIM.**

- 3 1/8 [80]
- 3 1/4 [83]
- 3 9/32 [83]
- 3 17/32 [90]

**PREFIXES**

- \_\_\_\_\_ ZAB Bronze with Polished Scoriated Top
- \_\_\_\_\_ ZANB Nickel Bronze with Polished Scoriated Top\*

**SUFFIXES**

- \_\_\_\_\_ -DX Dex-o-Tex Flange ( 3 [76] and 4 [102] Only)
- \_\_\_\_\_ -SP Extra Spanner Wrench

REV.	DATE: 9/18/09	C.N. NO. 110227
DWG. NO. P-15762		PRODUCT NO. Z1456-78

\*REGULARLY FURNISHED UNLESS OTHERWISE SPECIFIED