



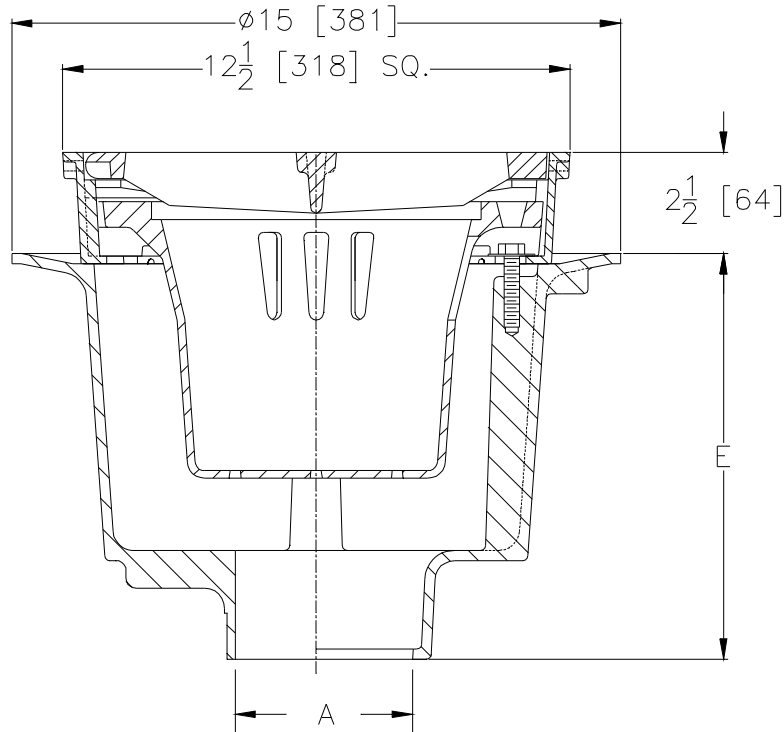
Z539-T

12-1/2 [318] SQUARE HEAVY DUTY DRAIN WITH DEEP SUMP

SPECIFICATION SHEET

TAG _____

Dimensional Data (inches and [mm]) are Subject to Manufacturing Tolerances and Change Without Notice



A Pipe Size In [mm]	Approx. Wt. Lbs. [kg]	Grate Open Area Sq. In. [cm ²]
3,4,6 [76,102,152]	68 [31]	42 [271]
8 [203]		

ENGINEERING SPECIFICATION: ZURN Z539-T
 12-1/2" [318mm] Square top drain. Dura-Coated cast iron deep sump body with bottom outlet, seepage pan and combination membrane flashing clamp and frame for sediment bucket and slotted grate.

OPTIONS (Check/specify appropriate options)

PIPE SIZE

3,4,6,8 [76,102,152,203]
 3,4 [76,102]

(Specify size/type) OUTLET

____ NH No-Hub
 ____ NL Neo-Loc

'E' BODY HT. DIM.

5-1/4 [133]
 9-5/16 [237]

PREFIXES

____ Z D.C.C.I. Body and Top*
 ____ ZN D.C.C.I. Body with Polished Nickel Bronze Top (Add 3/16 [5] to 2-1/2 [64] Dim. and 3/4 [19] to 12-1/2 [318] Dim.)

SUFFIXES

____ -G Galvanized Cast Iron
 ____ -SS Stainless Mesh Liner for Bucket
 ____ -TC Neo-Loc Test Cap Gasket (3,4 [76,102] NL Bottom Outlet Only)
 ____ -TS Top Secured with Slotted Screws
 ____ -VP Vandal-Proof Secured Top
 ____ -YF Free Standing Bucket

* Regularly furnished unless otherwise specified.

Zurn Industries, LLC | Specification Drainage Operation
 1801 Pittsburgh Avenue, Erie, PA U.S.A. 16502 · Ph. 855-663-9876, Fax 814-454-7929
 In Canada | **Zurn Industries Limited**
 3544 Nashua Drive, Mississauga, Ontario L4V 1L2 · Ph. 905-405-8272, Fax 905-405-1292
www.zurn.com

Rev. B
 Date: 10/09/2017
 C.N. No. 138516
 Prod. | Dwg. No. Z539-T