



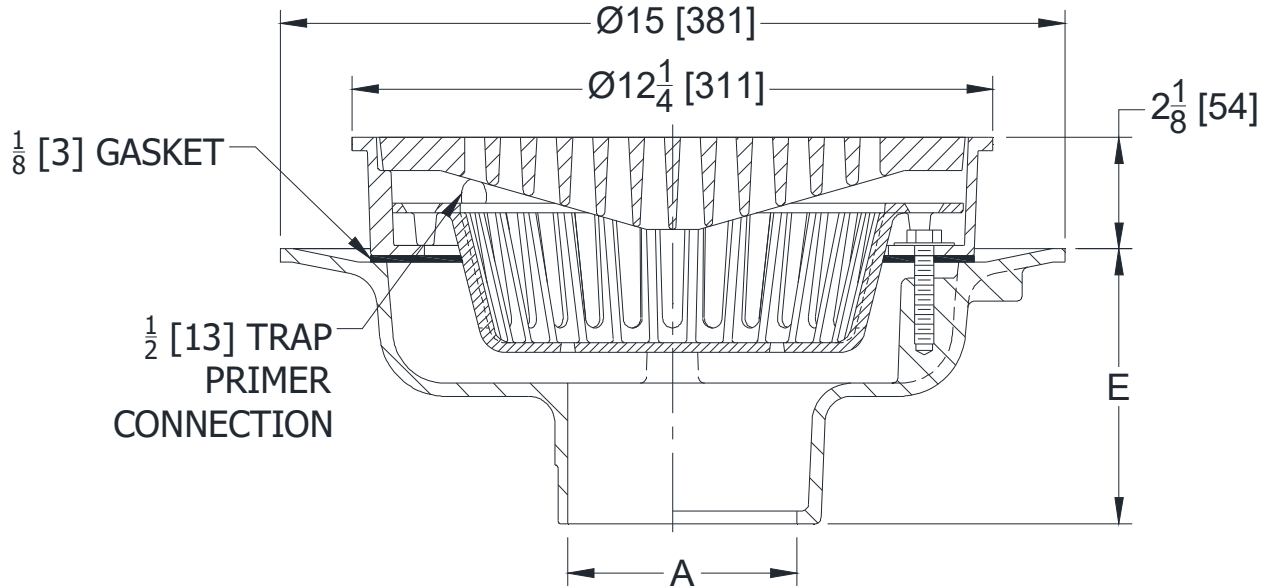
Z541-137

12-1/4 [311] DIAMETER TOP HEAVY-DUTY DRAIN WITH GASKETED FRAME

SPECIFICATION SHEET

TAG _____

Dimensional Data (inches and [mm]) are Subject to Manufacturing Tolerances and Change Without Notice



A- Pipe Size In. [mm]	Approx. Wt. Lbs. [kg]	Grate Open Area Sq. In. [cm ²]
2, 3, 4 [51, 76, 102]	51 [19]	30 [194]
6 [152]	52 [19]	
8 [203]	53 [20]	

ENGINEERING SPECIFICATION: ZURN Z541

12-1/4" [311mm] Diameter top drain. Dura-Coated cast iron body with bottom outlet, gasketed seepage pan and frame with integrated trap primer and plug, with anti-tilt heavy-duty slotted duresist grate and suspended polypropylene sediment bucket.

OPTIONS (Check/specify appropriate options)

PIPE SIZE

- 3, 4, 6 [76, 102, 152]
- 3, 4, 6 [76, 102, 152]
- 2, 3, 4, 6, 8 [51, 76, 102, 152, 203]
- 2, 3, 4, 6, 8 [51, 76, 102, 152, 203]
- 2, 3, 4 [51, 76, 102]

(Specify size/type) OUTLET

- ___ IC Inside Caulk
- ___ IG Inside Gasket
- ___ IP Threaded
- ___ NH No-Hub
- ___ NL Neo-Loc

'E' BODY HT. DIM.

- 5-1/4 [133]
- 5-1/4 [133]
- 3-3/4 [95]
- 5-1/4 [133]
- 4-5/8 [117]

PREFIXES

- ___ Z D.C.C.I. Body and Top*
- ___ ZN D.C.C.I. Body with Polished Nickel Bronze Top (Add 3/16 [5] to 2 [51] Dim and 3/4 [19] to 12-1/4 [311] Dim.)

SUFFIXES

- ___ -AR Acid Resisting Epoxy Coated Cast Iron
- ___ -DX Dex-o-tex Flange
- ___ -G Galvanized Cast Iron
- ___ -H Hinged Grate
- ___ -HP Heel-Proof Grate
- ___ -LY (Less) Sediment Bucket
- ___ -S Secondary Strainer
- ___ -SA Stabilizer Assembly (See Z1036)
- ___ -SS Stainless Mesh Liner for Bucket
- ___ -TC Neo-Loc Test Cap Gasket (2,3,4 [51,76,102] NL Bottom Outlet Only)
- ___ -TG Tractor Grate
- ___ -TS Top Secured with Slotted Screws
- ___ -V Backwater Valve (See Z1099)
- ___ -VP Vandal-Proof Secured Top
- ___ -WS Wide Slotted Grate (50 sq. in open)
- ___ -YC Cast Iron Sediment Bucket
- ___ -90 90° Threaded Side Outlet Body (2, 3, 4, 6 [51, 76, 102, 152])

* Regularly furnished unless otherwise specified.