



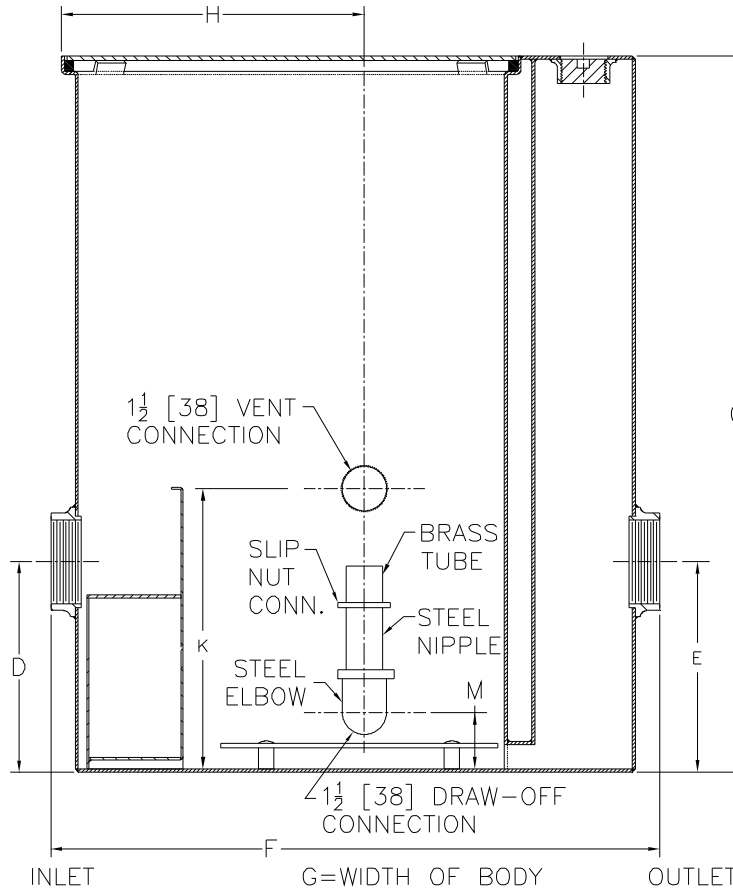
# Z1186-128

## #500 OIL INTERCEPTOR W/ 31 7/8 [810] OVERALL HEIGHT

SPECIFICATION SHEET

TAG \_\_\_\_\_

Dimensional Data (inches and [ mm ]) are Subject to Manufacturing Tolerances and Change Without Notice



Size	Inlet/ Outlet Size **	Flow Rate GPM [L]	Water Cap. Gal. [L]	Approx. Wt.Lbs. [kg]	Dimensions In Inches						
					C	D/E	F	G	H	K	M
500	3 [76]	20 [76]	10 [38]	106 [48]	31 7/8 [810]	9 3/8 [238]	27 1/8 [689]	16 3/4 [425]	13 1/4 [336]	12 1/2 [318]	2 1/2 [64]

**ENGINEERING SPECIFICATION: ZURNZ1186-128**

Acid Resistant Coated interior and exterior fabricated steel oil interceptor with 16 3/8 [416] integral extension, bronze cleanout plug and visible double wall trap seal, removable combination pressure equalizing/flow diffusing baffle and sediment bucket, horizontal baffle, adjustable oil draw-off and vent connections either side, secured gasketed non-skid cover, complete with flow control fitting. Regularly furnished with inlet and outlet in high position.

Note: Location of outlet from bottom of interceptor cannot be changed.

**OPTIONS** (Check/specify appropriate options)

**PREFIXES**

\_\_\_\_\_ Z Acid Resistant Coated Fabricated Steel\*

**SUFFIXES**

- \_\_\_\_\_ -HD Heavey duty traffic cover rated at 10,000 lbs. [4536] Kg. maximum safe live load.
- \_\_\_\_\_ -K Anchor flange 1 3/4 [44] down from top and 2 [51] wide. A 3 [76] minimum extension height is required when anchor flange (-K) option is specified. (Specify 'C' Dim. height required.)
- \_\_\_\_\_ -KC Anchor flange 1 3/4 [44] down from top and 2 [51] wide with clamp collar.

\*\* Inlet and outlet sizes shown indicate standard operating sizes and flow control setting.

<b>REV.</b>	<b>DATE: 07/22/08</b>	<b>C.N. NO. 98860</b>
<b>DWG. NO. P-15571</b>	<b>PRODUCT NO. Z1186-128</b>	

\*REGULARLY FURNISHED UNLESS OTHERWISE SPECIFIED

ZURN INDUSTRIES, LLC. ♦ SPECIFICATION DRAINAGE OPERATION ♦ 1801 Pittsburgh Ave. ♦ Erie, PA 16514

Phone: 814/455-0921 ♦ Fax: 814/454-7929 ♦ World Wide Web: www.zurn.com

In Canada: ZURN INDUSTRIES LIMITED ♦ 3544 Nashua Drive ♦ Mississauga, Ontario L4V1L2 ♦ Phone: 905/405-8272 Fax: 905/405-1292