



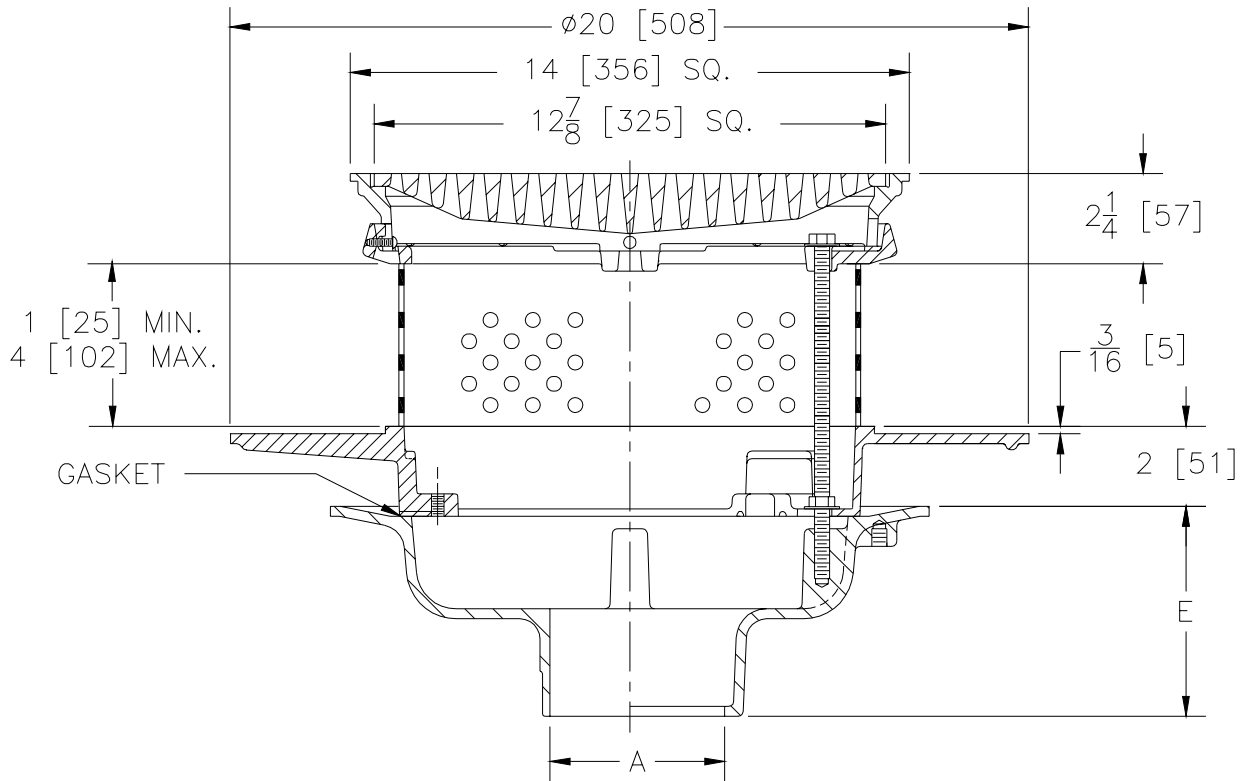
# Z532-80

## 12 [305] DIAMETER WIDE FLANGE FLOOR DRAIN

SPECIFICATION SHEET

TAG \_\_\_\_\_

Dimensional Data (inches and [ mm ]) are Subject to Manufacturing Tolerances and Change Without Notice



A- Pipe Size In.	Approx. Wt. Lbs. [kg]	Grate Open Area Sq. In. [cm <sup>2</sup> ]
2-3-4-5-6 [50-75-100-125-150]	54 [24]	30 [194]
8-10 [200-250]	56 [25]	

**ENGINEERING SPECIFICATION:** ZURN Z532-80 12[305] Diameter wide flange floor drain, Dura-Coated cast iron body with bottom outlet, seepage pan and combination membrane flashing clamp/frame with latex troweling flange, 4 [102] high perforated stainless steel extension, clamp collar, frame and grate.

**OPTIONS** (Check/specify appropriate options)

**PIPE SIZE**

- 2 thru 6, 8, 10 [50 thru 150, 200, 250]
- 2 thru 4, 6 [50 thru 100, 150]
- 2 thru 6, 8, 10 [50 thru 150, 200, 250]
- 2 thru 6, 8, 10 [50 thru 150, 200, 250]
- 2 thru 4 [50 thru 100]

(Specify size/type) **OUTLET**

- \_\_\_ IC Inside Caulk
- \_\_\_ IG Inside Caulk w/Sealtrol Gskt.
- \_\_\_ IP Threaded
- \_\_\_ NH No-Hub
- \_\_\_ NL Neo-Loc

**'E' BODY HT. DIM.**

- 5 1/4 [133]
- 5 1/4 [133]
- 3 3/4 [95]
- 5 1/4 [133]
- 4 1/2 [114]

**PREFIXES**

- \_\_\_ Z D.C.C.I. Body and Top\*
- \_\_\_ ZB D.C.C.I. Body with Polished Bronze Top
- \_\_\_ ZN D.C.C.I. Body with Polished Nickel Bronze Top

**SUFFIXES**

- \_\_\_ -AR Acid Resistant Epoxy Coated Cast Iron
- \_\_\_ -C Underdeck Clamp
- \_\_\_ -DG Duresist Grate
- \_\_\_ -G Galvanized Cast Iron
- \_\_\_ -TS Top Secured with Slotted Screws
- \_\_\_ -VP Vandal Proof Secured Top

\*REGULARLY FURNISHED UNLESS OTHERWISE SPECIFIED

REV.	DATE: 12/5/03	C.N. NO. 91765
DWG. NO. P-15021		PRODUCT NO. Z532-80